

AE-875 LAVATORY FAUCET



FEATURES & BENEFITS

- ❖ Solid Brass Construction
- ❖ Fits 4" Centers
- ❖ Lifetime Ceramic Cartridge
- ❖ 1/2" 14 NPT Inlet
- ❖ Solid Brass Lever Handles
- ❖ Solid Brass Spout
- ❖ ADA Compliant
- ❖ Water Saving Aerator
- ❖ Max Flow Rate: 2.2GPM @ 60psi
- ❖ 100% Factory Pressure Tested Before Shipment



APPROVALS:

Meets or Exceeds
The Following:

- ❖ ANSI/ASME A112.18.1
- ❖ CSA B 125
- ❖ ANSI/NSF 61 - Sec. 9
- ❖ IAPMO/UPC

ALSO AVAILABLE:

AE-875S - With
Brushed Nickel Finish
AE-875ORB - With
Oil Rubbed Bronze Finish

BREWSTER, NY: TEL: 800-431-2082
HOUSTON, TX: TEL: 800-935-5456
LAPALMA, CA: TEL: 866-532-8306

FAX: 845-278-9056
FAX: 800-683-4247
FAX: 866-832-8307

Visit Our Web Site: www.matco-norca.com



Product Spec Sheet

DESIGNED & PRODUCED BY JCM ADVERTISING

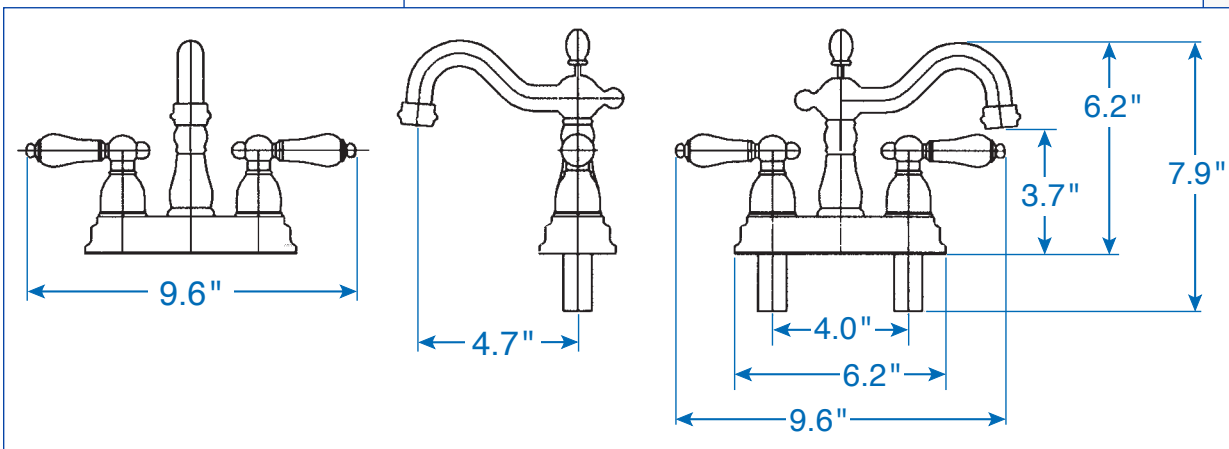
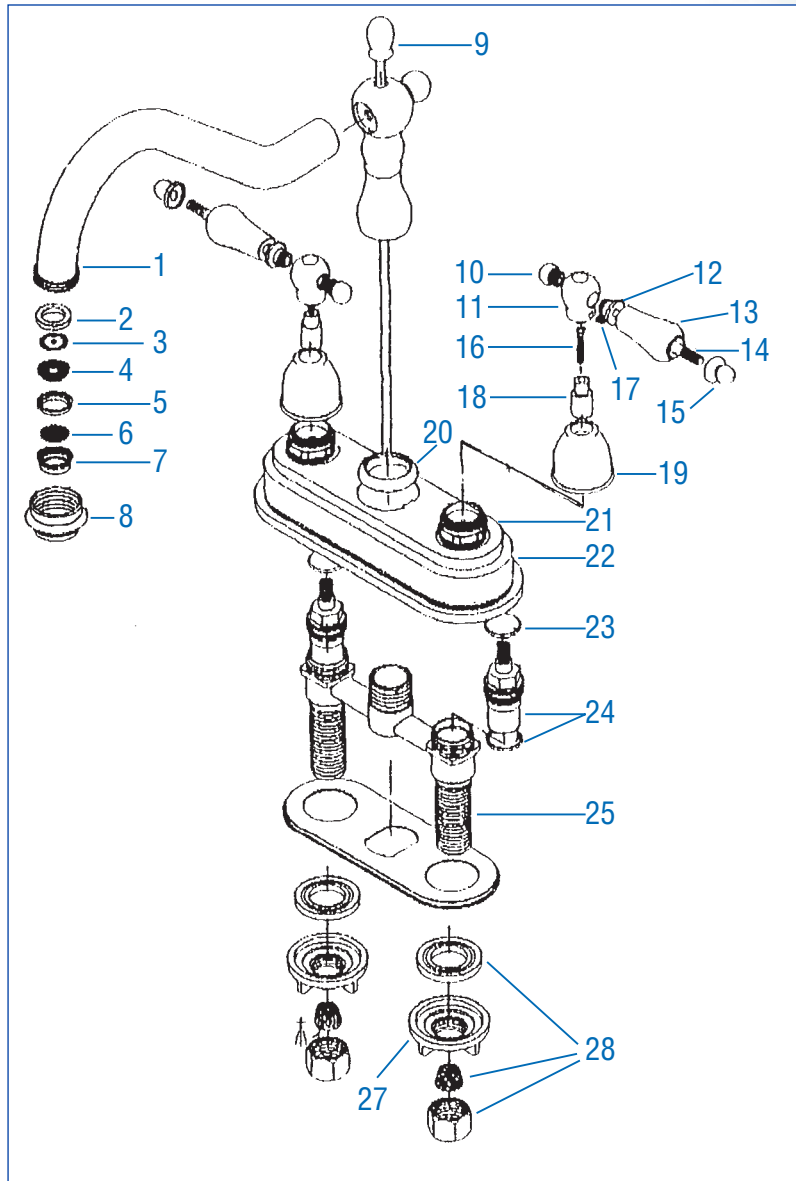
4/25/05

AE-875 LAVATORY FAUCET



DESIGNED & PRODUCED BY JCM ADVERTISING

No.	Part Title	Material
1	Spout	Brass
2	Gasket	Rubber
3	Flow Restrictor	Plastic
4	Filter Net	Plastic
5	Net Holder	Plastic
6	Filter Net	Stainless Steel
7	Filter Seat	Plastic
8	Aerator Cap	Brass
9	Pull Knob	Brass
10	Plug	Brass
11	Handle	Brass
12	Lever Adaptor	Brass
13	Handle Lever	Porcelain
14	Stud	Brass
15	Handle Cap	Brass
16	Screw	Brass
17	Screw	Stainless Steel
18	Handle Adaptor	Brass
19	Dome Base	Brass
20	Spout Nut	Brass
21	Bonnet Nut	Brass
22	Escutcheon	Brass
23	Washer	Plastic
24	Ceramic Cartridge	Brass
25	Waterway Body	Brass
26	Bottom Plate	Plastic
27	Installation Nut	Plastic
28	Coupling Kit	Plastic



Product SpecSheet



BREWSTER, NY: P.O. Box 27 Route 22 Brewster, NY 10509
HOUSTON, TX: 1150 Silber Road Houston, TX 77055
LAPALMA, CT: 5593 Fresca Drive La Palma, CA 90623

Visit Our Web Site: www.matco-norca.com