

## KITCHEN FAUCET



**Product Spec Sheet**

### FEATURES & BENEFITS

- Solid Brass Body
- Fits 8" Centers
- 1/2"-14 NPS Inlet
- Metal Lever Handles
- ADA Compliant
- Washerless Cartridge
- 100% Factory Pressure Tested Before Shipment

- \* AE-365  
Chrome Finish
- \* AE-365S  
Brushed Nickel Finish

#### Approvals: Meets or Exceeds The Following:

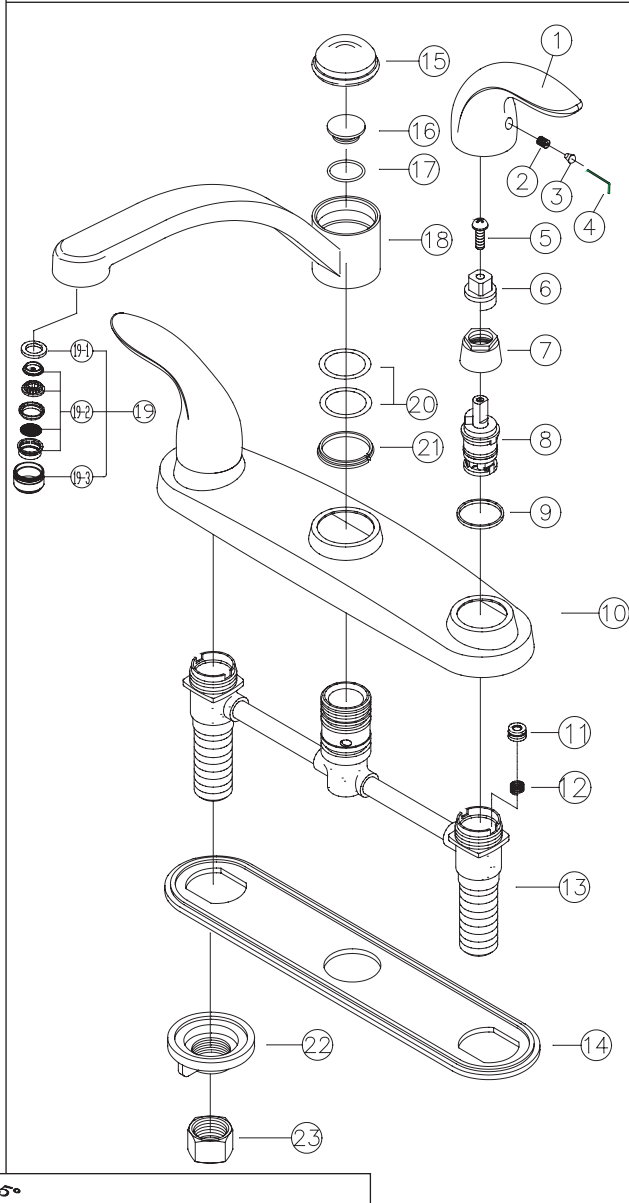
- \* ANSI/ASME A112.18.1
- \* CSA B125.1
- \* IAPMO/UPC



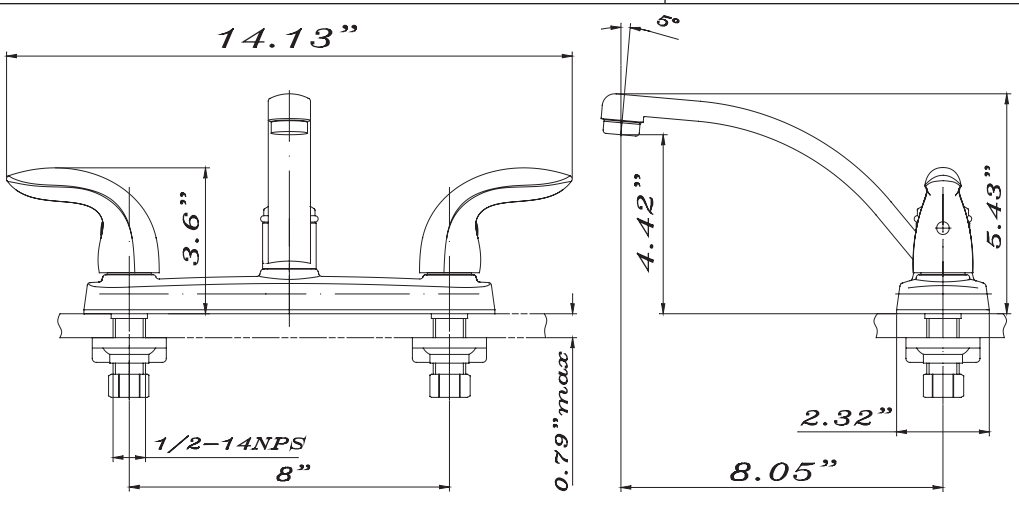
# AE-365/AE-365S KITCHEN FAUCET



NoPart	Title	Material
1	Handle	Zinc
2	Screw	Stainless Steel
3	Insert	Rubber
4	Wrench	Iron
5	Screw	Brass
6	Extension Stem	Plastic+33%Fiberglass
7	Retainer Nut	Brass
8	Cartridge	Plastic
9	O-Ring	Plastic
10	Cover Plate	Zinc
11	Cone Washer(Seal)	Rubber
12	Spring	Stainless Steel
13	Body Assembly	Brass
14	Bottom Plate	Plastic
15	Spout Cover	Zinc
16	Insert	Rubber
17	O-Ring	Rubber
18	Spout Assembly	Brass
19	Aerator	Brass / Plastic
20	O-Ring	Rubber
21	Clip	Plastic
22	Lock Nut	Plastic
23	Coupling Nut	Brass



Product Spec Sheet



**Approval:**  
Meets or Exceeds  
**The Following:**  
\* ANSI/ASME A112.18.1  
\* CSA B125.1  
\* IAPMO/UPC



**BREWSTER, NY: P.O. BOX 27 Route 22 Brewster, NY 10509**  
**HOUSTON, TX: 1150 Silber Road Houston, TX 77055**  
**LA PALMA, CA: 5593 Fresca Drive La Palma, CA 90623**

Visit Our Web Site : [www.matco-norca.com](http://www.matco-norca.com)