

BAR FAUCET



Product Spec Sheet

FEATURES & BENEFITS

- Solid Brass Body
- Fits 4" Centers
- 1/2"-14 NPS Inlet
- 10" Spout
- Metal Lever Handles
- ADA Compliant
- Washerless Cartridge
- 100% Factory Pressure Tested Before Shipment

- * AE-325
Chrome Finish
- * AE-325S
Brushed Nickel Finish

Approvals: Meets or Exceeds The Following:

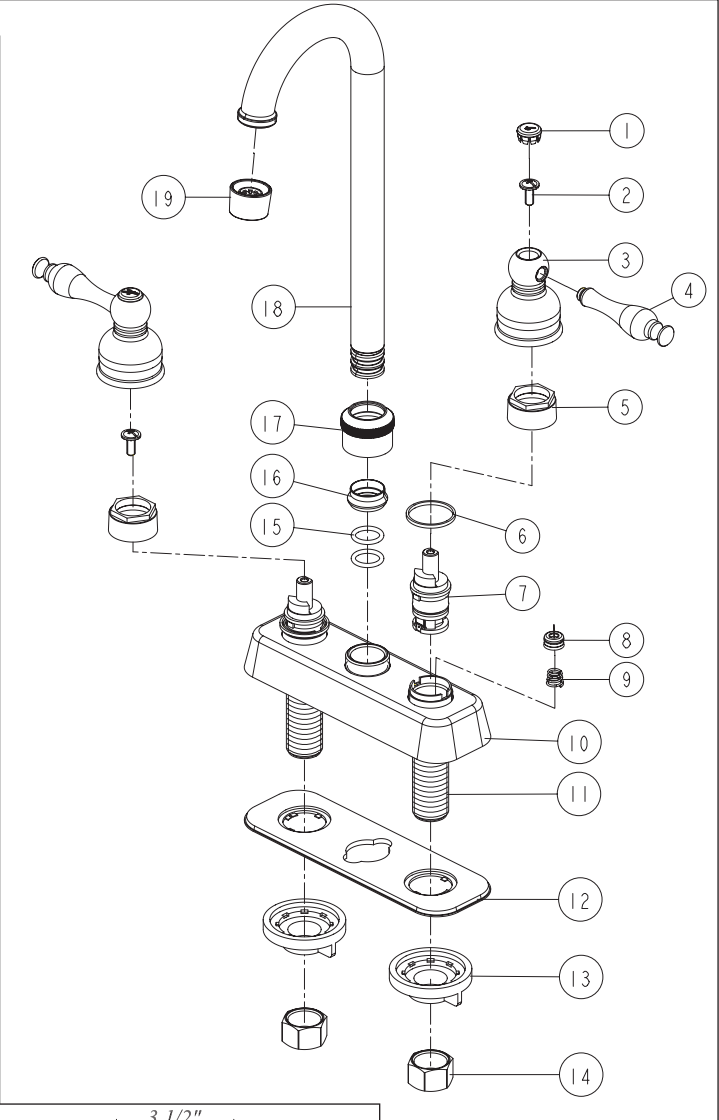
- * ANSI/ASME A112.18.1
- * CSA B125.1
- * IAPMO/UPC



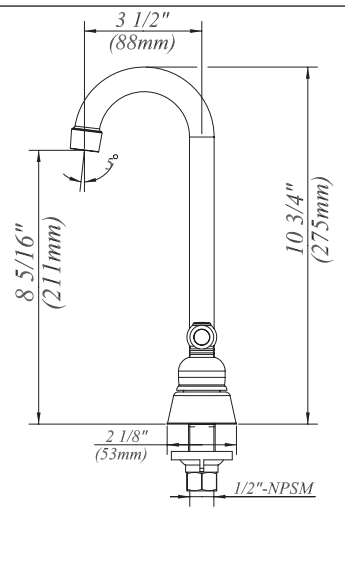
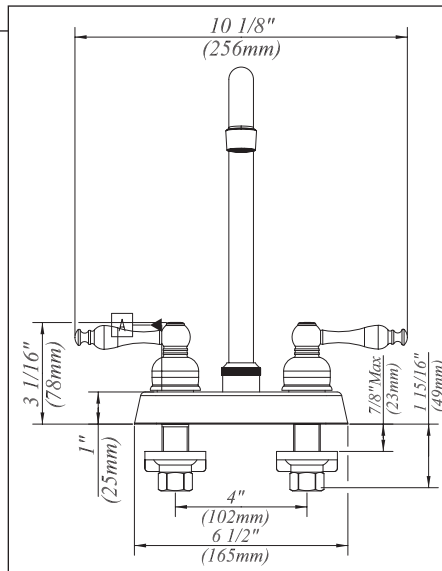
AE-325/AE-325S BAR FAUCET



No	Part Title	Material
1	Handle Cap	Brass
2	Screw	Stainless Steel
3	Canopy	Zinc
4	Handle	Brass
5	Retainer Nut	Zinc
6	O-Ring	Rubber
7	Cartridge	Plastic
8	Cone Washer	Rubber
9	Spring	Stainless Steel
10	Cover Plate	Brass
11	Body Assembly	Brass
12	Bottom Plate	Plastic
13	Lock Nut	Rubber
14	Coupling Nut	Brass
15	O-Ring	Rubber
16	Clip	Rubber
17	Sleeve	Brass
18	Spout Assembly	Brass
19	Aerator Assembly	Brass / Plastic



Product Spec Sheet



Approvals:
Meets or Exceeds
The Following:
 * ANSI/ASME A112.18.1
 * CSA B125.1
 * IAPMO/UPC



BREWSTER, NY: P.O. BOX 27 Route 22 Brewster, NY 10509
HOUSTON, TX: 1150 Silber Road Houston, TX 77055
LA PALMA, CA: 5593 Fresca Drive La Palma, CA 90623

Visit Our Web Site : www.matco-norca.com