

KITCHEN FAUCET



Product Spec Sheet

FEATURES & BENEFITS

- Solid Brass Body
- Fits 8" Centers
- 1/2"-14 NPS Inlet
- Metal Lever Handle
- ADA Compliant
- Drip-free Ceramic Cartridge
- With Spray
- 100% Factory Pressure Tested Before Shipment

- * AE-315
Chrome Finish
- * AE-315S
Brushed Nickel Finish

Approvals: Meets or Exceeds The Following:

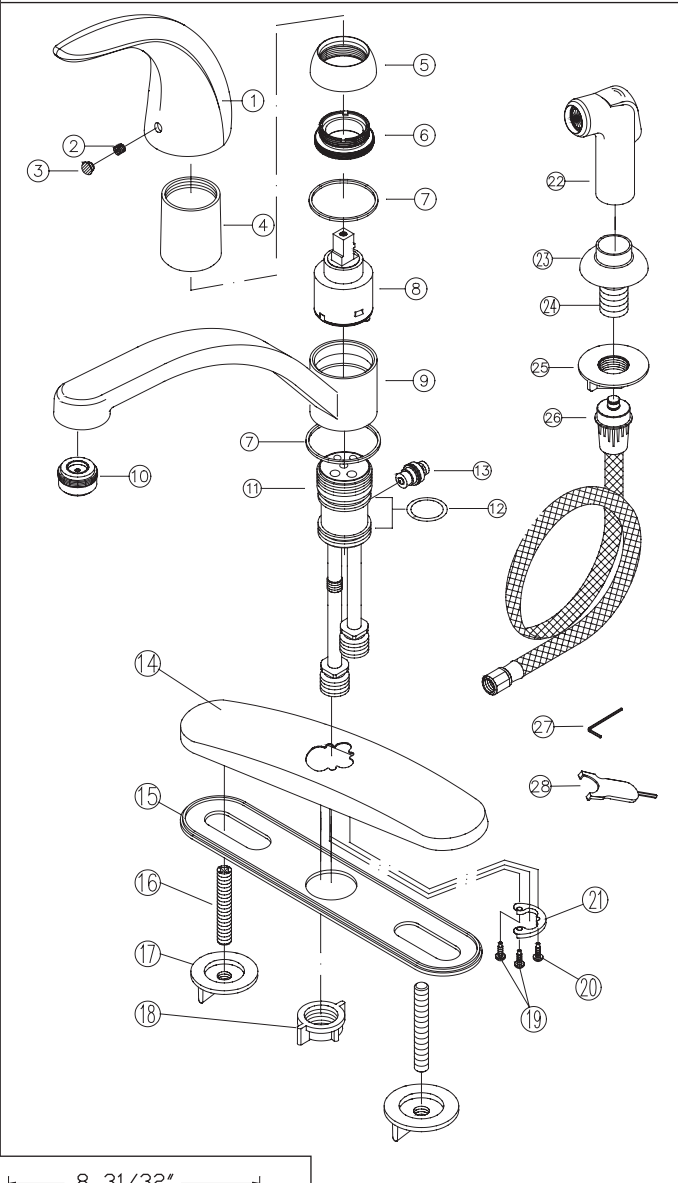
- * ANSI/ASME A112.18.1
- * CSA B125.1
- * IAPMO/UPC



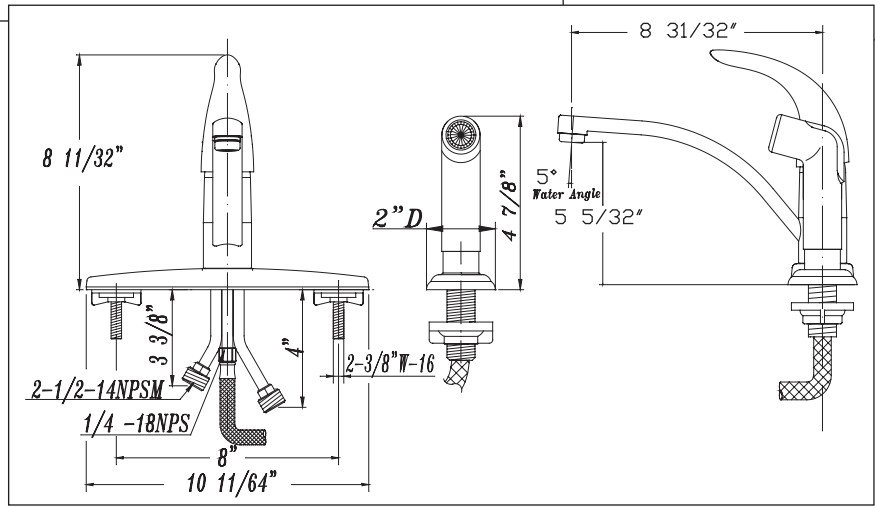
AE-315/AE-315S KITCHEN FAUCET



No	Part Title	Material
1	Handle	Zinc
2	Screw	Stainless Steel
3	Insert	Rubber
4	Sleeve	Brass
5	Cap	Brass
6	Retainer Nut	Brass
7	O-Ring	Plastic
8	Cartridge	Brass/Ceramic
9	Spout Assembly	Brass
10	Aerator	Brass / Plastic
11	Body Assembly	Brass
12	O-Ring	Rubber
13	Diverter Assembly	Plastic
14	Cover Plate	Zinc
15	Bottom Plate	Plastic
16	Screw Stem	Stainless Steel
17	Lock Nut	Plastic
18	Coupling Nut	Brass
19	Screw	Stainless Steel
20	Screw	Stainless Steel
21	Fixed Sheet	Stainless Steel
22	Spray Head	Plastic
23	Spray Flange	Brass
24	Screw Stem	Plastic
25	Lock Nut	Plastic
26	Spray Hose	Plastic
27	Wrench	Iron
28	Wrench	Iron



Product Spec Sheet



Approvals:
Meets or Exceeds
The Following:
 * ANSI/ASME A112.18.1
 * CSA B125.1
 * IAPMO/UPC



BREWSTER, NY: P.O. BOX 27 Route 22 Brewster, NY 10509
HOUSTON, TX: 1150 Silber Road Houston, TX 77055
LA PALMA, CA: 5593 Fresca Drive La Palma, CA 90623

Visit Our Web Site : www.matco-norca.com