

## KITCHEN FAUCET



**Product Spec Sheet**

### FEATURES & BENEFITS

- Solid Brass Body
- Fits 8" Centers
- 1/2"-14 NPS Inlet
- Metal Lever Handle
- ADA Compliant
- Drip-free Ceramic Cartridge
- 100% Factory Pressure Tested Before Shipment

- \* AE-310  
Chrome Finish
- \* AE-310S  
Brushed Nickel Finish

### Approvals: Meets or Exceeds The Following:

- \* ANSI/ASME A112.18.1
- \* CSA B125.1
- \* IAPMO/UPC

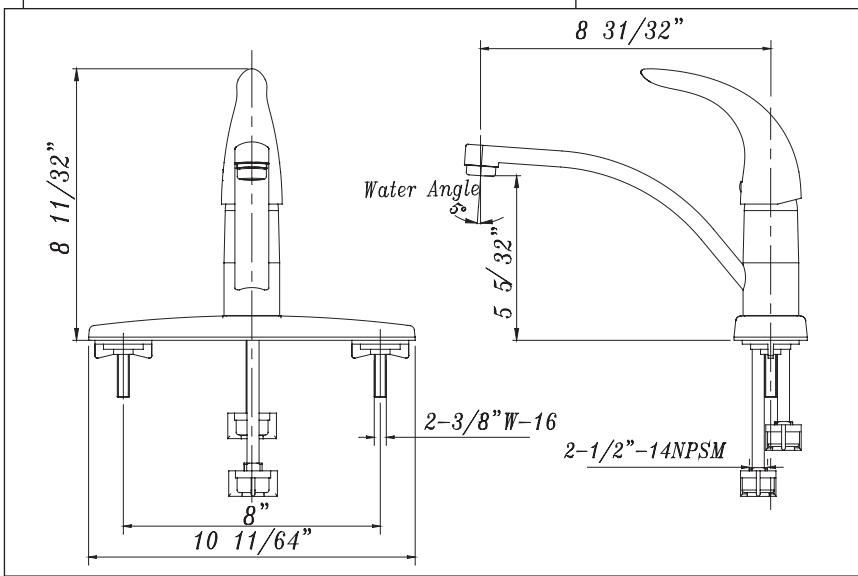
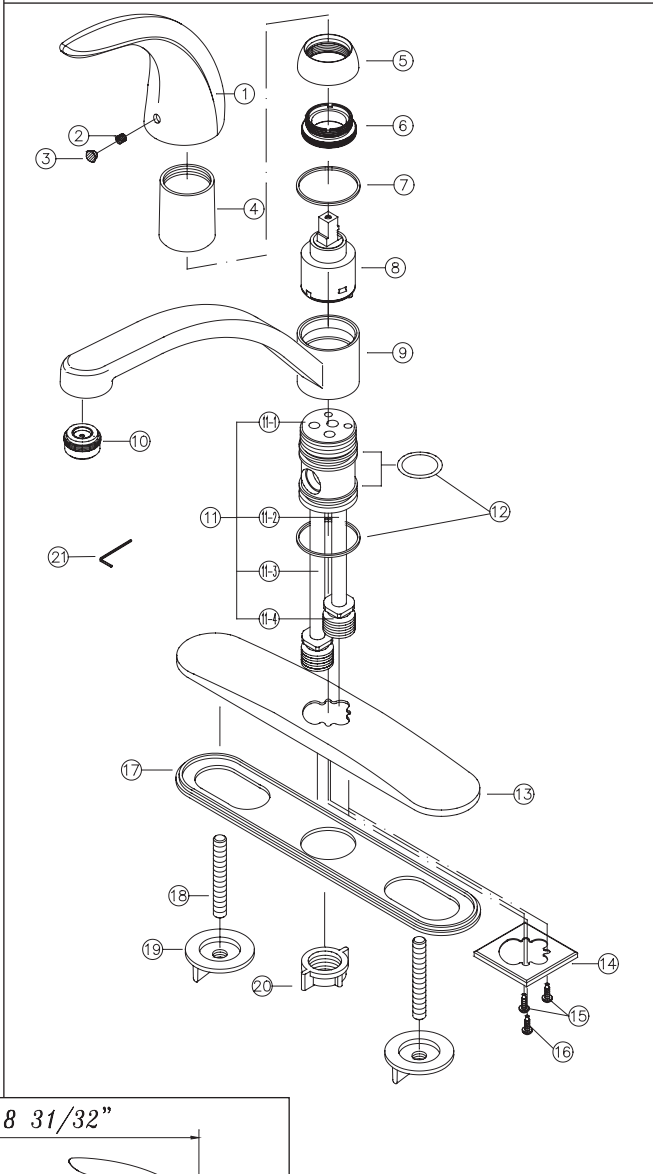


# AE-310/AE-310S KITCHEN FAUCET



# Product Spec Sheet

No	Part Title	Material
1	Handle	Zinc
2	Screw	Stainless Steel
3	Insert	Rubber
4	Sleeve	Brass
5	Cap	Brass
6	Retainer nut	Brass
7	O-Ring	Plastic
8	Cartridge	Brass/Ceramic
9	Spout Assembly	Brass
10	Aerator	Brass / Plastic
11	Body Assembly	Brass
12	O-Ring	Rubber
13	Cover Plate	Zinc
14	Fixed Sheet	Stainless Steel
15	Screw Stem	Stainless Steel
16	Screw Stem	Stainless Steel
17	Bottom Plate	Plastic
18	Screw Stem	Stainless Steel
19	Lock Nut	Plastic
20	Lock Nut	Plastic
21	Wrench	Iron



**Approvals:**  
**Meets or Exceeds**  
**The Following:**  
 \* ANSI/ASME A112.18.1  
 \* CSA B125.1  
 \* IAPMO/UPC



**BREWSTER, NY: P.O. BOX 27 Route 22 Brewster, NY 10509**  
**HOUSTON, TX: 1150 Silber Road Houston, TX 77055**  
**LA PALMA, CA: 5593 Fresca Drive La Palma, CA 90623**

Visit Our Web Site : [www.matco-norca.com](http://www.matco-norca.com)