



AE-255LF/AE-255SLF

Pullout Kitchen Faucet



Product Spec Sheet

FEATURES & BENEFITS

- This Product Contains Less Than 0.25% Weighted Average Lead Content On Wetted Surfaces
- Easy Single Lever Operation
- Ceramic Cartridge
- Water Saving Aerator
- Max Flow Rate 2.2 GPM (8.3LPM) at 60 PSI (ASME. A112.18.1)

AE-255LF
(Chrome Finish)

AE-255SLF
(Brushed Nickel Finish)

APPROVALS:

Meets or Exceeds The Following:

- * ANSI/ASME A112.18.1
- * CSA B125.1
- * ANSI/NSF 61 – Sec. 9
- * IAPMO/UPC
- * CA AB1953



BREWSTER, NY: TEL: 800-431-2082
HOUSTON, TX: TEL: 800-935-5456
LA PALMA, CA: TEL: 866-532-8306

FAX: 800-640-2252
FAX: 800-683-4247
FAX: 866-532-8307

Visit Our Web Site : www.matco-norca.com

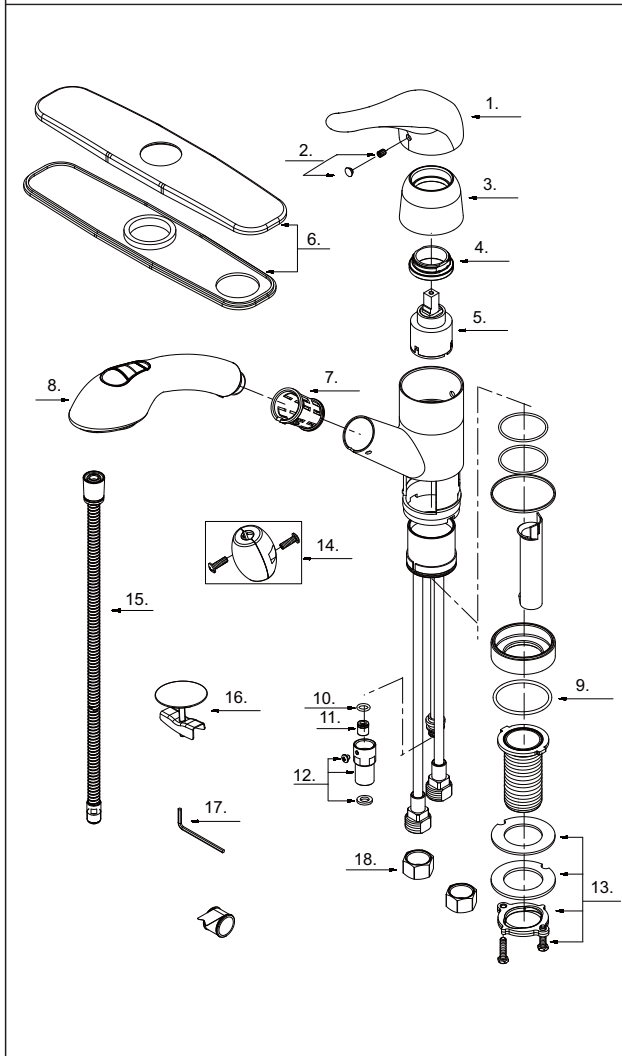


AE-255LF/AE-255SLF

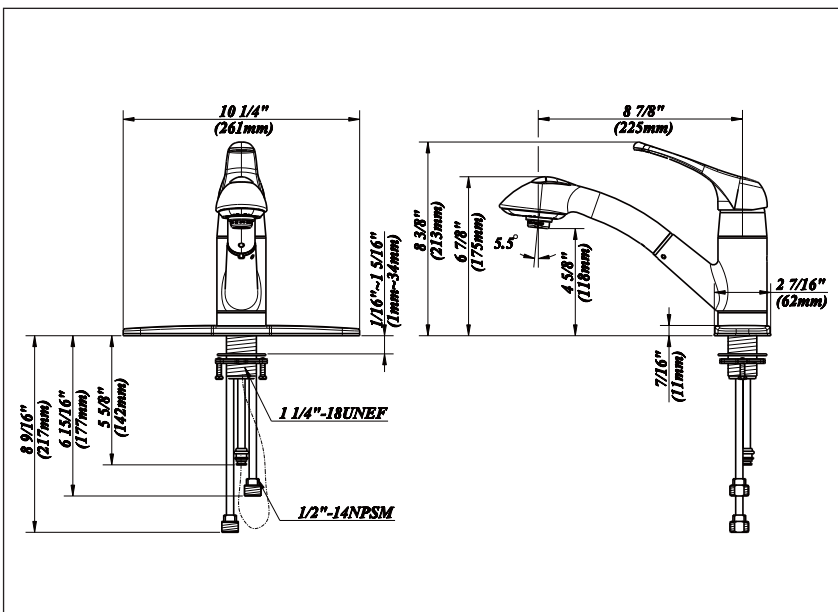
Pullout Kitchen Faucet



No	Part Title	Material
1	Metal Handle	Zinc Alloy
2	Index Button-Cold/Hot	Plastic
3	Trim Cap	Plastic
4	Locking Nut	Steel
5	Ceramic Disc Cartridge	Ceramic & Brass
6	Cover Plate & Putty Plate	Zinc & Plastic
7	Hose Guide	Plastic
8	Hand Spray w/Check Valve	Plastic & Brass
9	O-Ring ($\Phi 1-3/4"$ ID * $\Phi 1-15/16"$ OD)	Steel
10	O-Ring ($\Phi 5/16"$ ID * $\Phi 1/2"$ OD)	Steel
11	Check Valve	Brass
12	Hose Adaptor Assembly	Steel
13	Mounting Hardware Assembly	Steel
14	Weight	Plastic
15	Spray Hose	Steel
16	Sink Hole Cover	Steel
17	Hex Wrench(H2.5 * 19 mm L * 53 mm L)	Steel
18	Coupling Nuts	Brass



Product Spec Sheet



Certified to ANS/NSF 61 Section 9



California Lead Plumbing Law



APPROVALS:

Meets or Exceeds The Following:

- * ANSI/ASME A112.18.1
- * CSA B125.1
- * ANSI/NSF 61 – Sec. 9
- * IAPMO/UPC
- * CA AB1953

BREWSTER, NY: P.O. BOX 27 Route 22 Brewster, NY 10509
 HOUSTON, TX: 1150 Silber Road Houston, TX 77055
 LA PALMA, CA: 5593 Fresca Drive La Palma, CA 90623

Visit Our Web Site : www.matco-norca.com