

## ROMAN TUB FAUCET



**Product Spec Sheet**

### FEATURES & BENEFITS

- Solid Brass Body
- Fits 8"-16" Centers
- 1/2"-14 NPS Inlet
- Metal Lever Handles
- ADA Compliant
- Drip-free Ceramic Cartridge
- 100% Factory Pressure Tested Before Shipment

- \* AE-186  
Chrome Finish
- \* AE-186S  
Brushed Nickel Finish

### Approvals: Meets or Exceeds The Following:

- \* ANSI/ASME A112.18.1
- \* CSA B125.1
- \* IAPMO/UPC



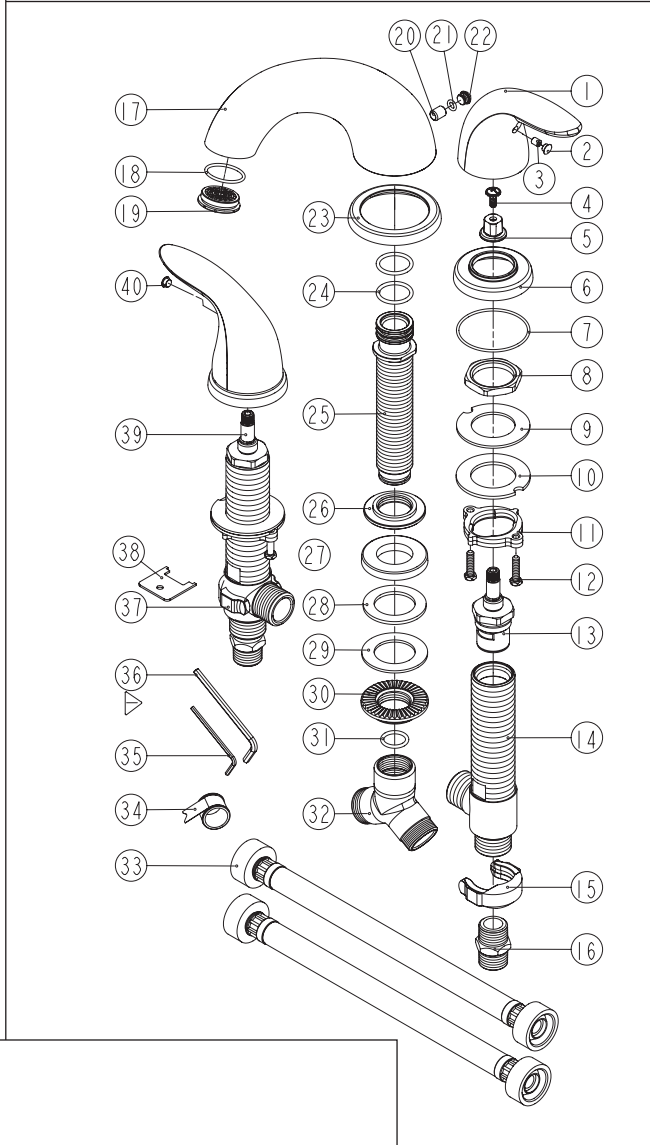
**BREWSTER, NY: TEL: 800-431-2082**  
**HOUSTON, TX: TEL: 800-935-5456**  
**LA PALMA, CA: TEL: 866-532-8306**

**FAX: 800-640-2252**  
**FAX: 800-683-4247**  
**FAX: 866-832-8307**

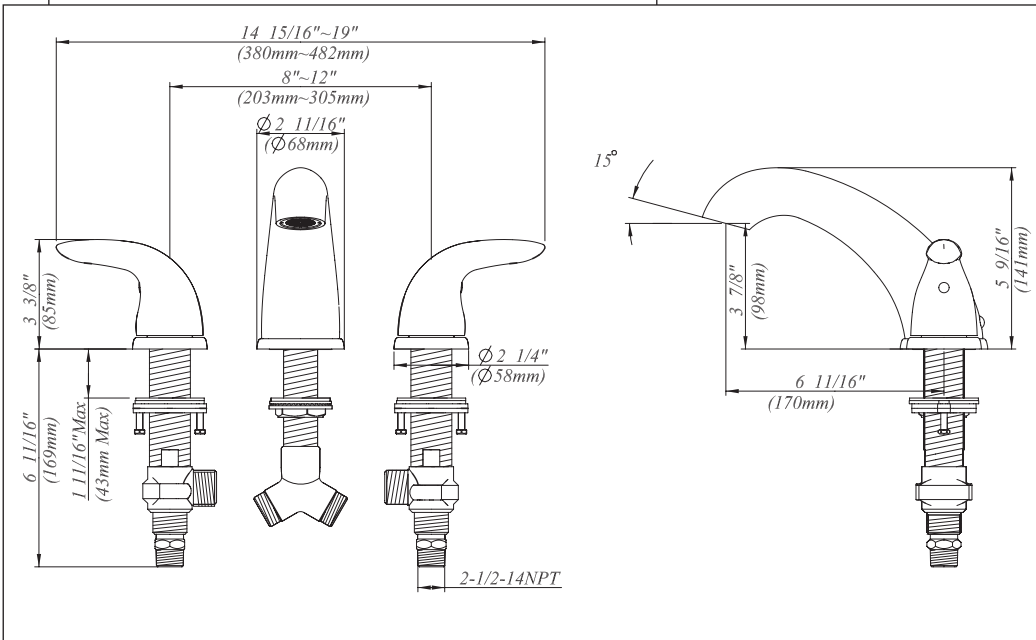
# AE-186/AE-186S ROMAN TUB FAUCET



No	Part Title	Material
1	Handle	Zinc
2	Insert	Rubber
3	Screw	Stainless Steel
4	Screw	Stainless Steel
5	Extension Stem	Brass
6	Handle Flange	Brass
7	O-Ring	Rubber
8	Lock Nut	Brass
9	Seal	Rubber
10	Washer	Stainless Steel
11	Lock Nut	Brass
12	Screw	Stainless Steel
13	Cartridge	Brass/Ceramic
14	Body Assembly	Brass
15	Clip	Plastic
16	Connection Tube	Stainless Steel
17	Spout	Brass
18	O-Ring	Rubber
19	Aerator Assembly	Brass/Plastic
20	Screw	Stainless Steel
21	O-Ring	Rubber
22	Insert	Brass
23	Spout Base	Brass
24	O-Ring	Rubber
25	Shank	Brass
26	Lock Nut	Brass
27	Seal	Rubber
28	Seal	Rubber
29	Washer	Brass
30	Lock Nut	Brass
31	O-Ring	Rubber
32	Y-Adaptor	Brass
33	Connection Tube	Plastic/Stainless Steel
34	Tape	Teflon
35	Wrench	Iron
36	Wrench	Iron
37	Clip	Plastic
38	Wrench	Iron
39	Cartridge	Brass/Ceramic
40	Insert	Rubber



# Product Spec Sheet



**Approval:**  
 Meets or Exceeds  
 The Following:  
 \* ANSI/ASME A112.18.1  
 \* CSA B125.1  
 \* IAPMO/UPC



**BREWSTER, NY: P.O. BOX 27 Route 22 Brewster, NY 10509**  
**HOUSTON, TX: 1150 Silber Road Houston, TX 77055**  
**LA PALMA, CA: 5593 Fresca Drive La Palma, CA 90623**

Visit Our Web Site : [www.matco-norca.com](http://www.matco-norca.com)