



FEATURES & BENEFITS

- ❖ Solid Brass Construction
- ❖ Fits 4" - 16" Centers
- ❖ Lifetime Ceramic Cartridge
- ❖ 1/2" 14 NPT Inlet
- ❖ Solid Brass Lever Handles
- ❖ Solid Brass Spout
- ❖ Brass Pop-Up Assembly
- ❖ ADA Compliant
- ❖ Water Saving Aerator
- ❖ Max Flow Rate: 2.2GPM @60psi
- ❖ 100% Factory Pressure Tested Before Shipment



APPROVALS:

Meets or Exceeds
The Following:

- ❖ ANSI/ASME A112.18.1
- ❖ CSA B 125
- ❖ ANSI/NSF 61 - Sec. 9
- ❖ IAPMO/UPC

ALSO AVAILABLE:

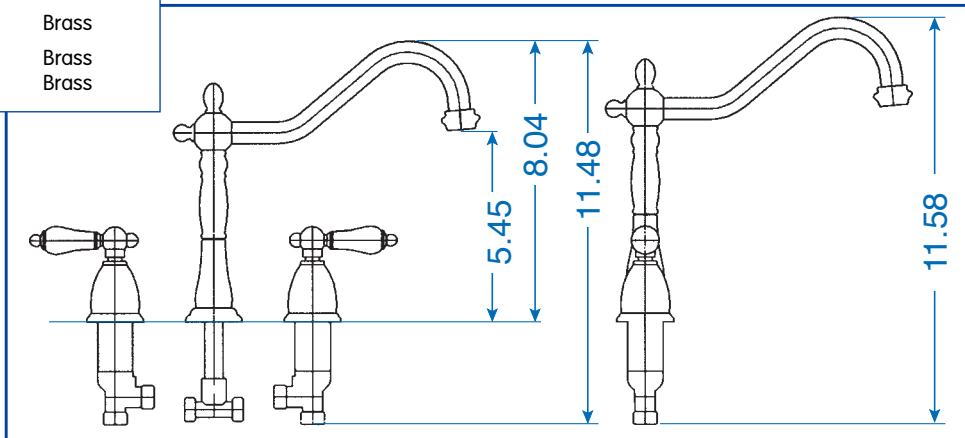
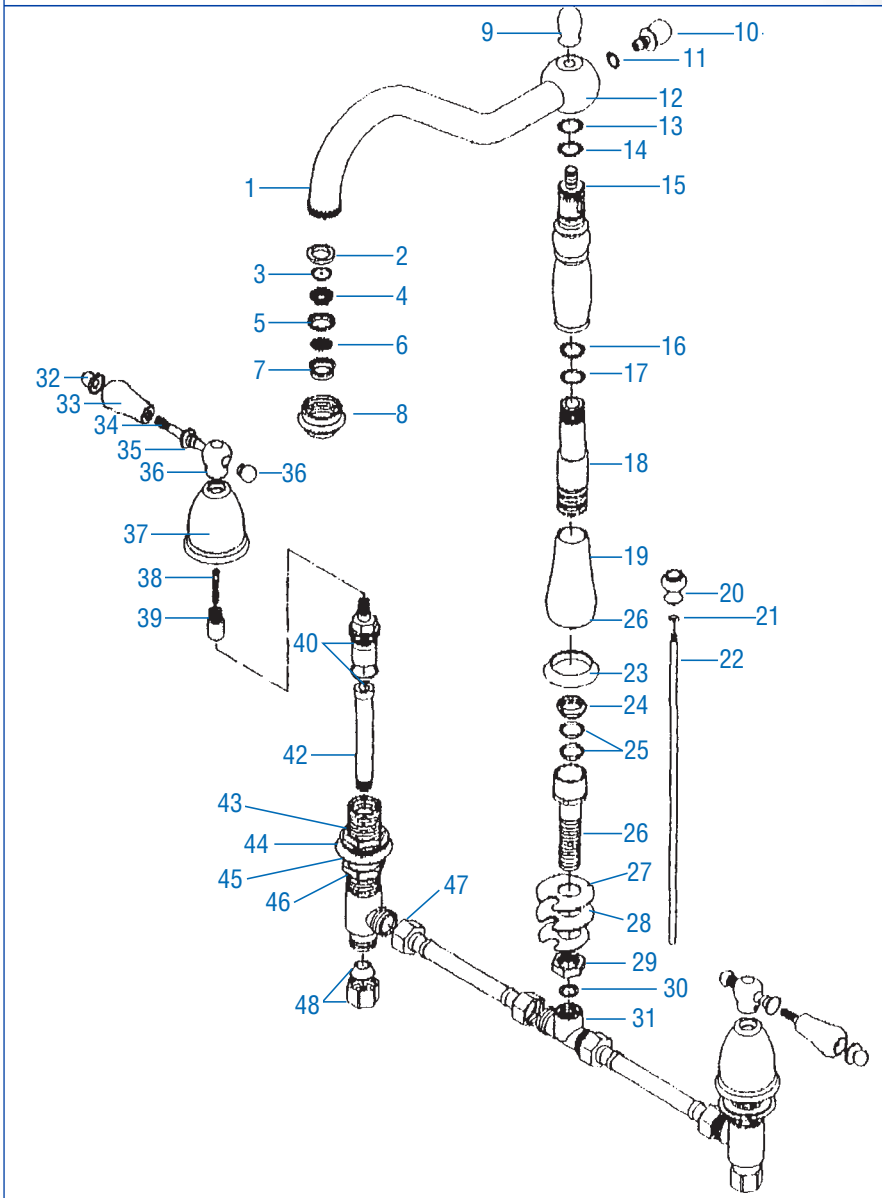
AE-175S - With
Brushed Nickel Finish

AE-175 WIDESPREAD LAVATORY FAUCET



Product Spec Sheet

No.	Part Title	Material
1	Spout	Brass
2	Gasket	Brass
3	Slow Restrictor	Plastic
4	Filter Net	Plastic
5	Net	Plastic
6	Filter	Stainless Steel
7	Filter Seat	Plastic
8	Aerator Cap	Brass
9	Spout Head	Brass
10	Spout Plug	Brass
11	O-Ring	Brass
12	Spout Head	Brass
13	O-Ring	Rubber
14	O-Ring	Rubber
15	Upper Stand	Brass
16	O-Ring	Rubber
17	O-Ring	Rubber
18	Spout Stem	Brass
19	Lower Stand	Brass
20	Pull Knob	Brass
21	O-Ring	Rubber
22	Pull Rod	Brass
23	Spout Base	Brass
24	Retaining ring	Plastic
25	O-Ring	Rubber
26	Spout Shank	Brass
27	Washer	Steel
28	Washer	Rubber
29	Nut	Brass
30	O-Ring	Rubber
31	T-Joint	Brass
32	Handle Cap	Brass
33	Handle Lever	Porcelain
34	Stud	Brass
35	Lever Adaptor	Brass
36	Handle top	Brass
37	Dome Base	Brass
38	Screw	Brass
39	Handle Adaptor	Brass
40	Plug	Brass
41	Ceramic Cartridge	Brass
42	Stem Seat	Brass
43	Nut	Brass



4/20/05

DESIGNED & PRODUCED BY JCM ADVERTISING.COM



BREWSTER, NY: P.O. Box 27 Route 22 Brewster, NY 10509
HOUSTON, TX: 1150 Silber Road Houston, TX 77055
LAPALMA, CT: 5593 Fresca Drive La Palma, CA 90623

Visit Our Web Site: www.matco-norca.com