

AE-151 ROMAN TUB FILLER



Product Spec Sheet



FEATURES & BENEFITS

- ❖ Solid Brass Construction
- ❖ Adjustable to Fit 4" - 16" Centers
- ❖ Lifetime Ceramic Cartridge
- ❖ 1/2" 14 NPT Inlet
- ❖ Solid Brass Lever Handles
- ❖ Solid Brass 8" Spout
- ❖ ADA Compliant
- ❖ Water Saving Aerator
- ❖ Max Flow Rate: 2.2GPM @ 60psi
- ❖ 100% Factory Pressure Tested Before Shipment

APPROVALS:

Meets or Exceeds The Following:

- ❖ ANSI/ASME A112.18.1
- ❖ CSA B 125
- ❖ ANSI/NSF 61 - Sec. 9
- ❖ IAPMO/UPC



ALSO AVAILABLE:

AE-151S - With PVD Brushed Nickel Finish

AE-151B - With PVD Polished Brass Finish

AE-151KIT - Trim Kit

Kit converts chrome faucet to two-tone and includes handle inserts, aerator, and handle/spout, & base rings, all in PVD brass



BREWSTER, NY: TEL: 800-431-2082
HOUSTON, TX: TEL: 800-935-5456
LAPALMA, CA: TEL: 866-532-8306

FAX: 914-278-9056
FAX: 800-683-4247
FAX: 866-832-8307

Visit Our Web Site: www.matco-norca.com

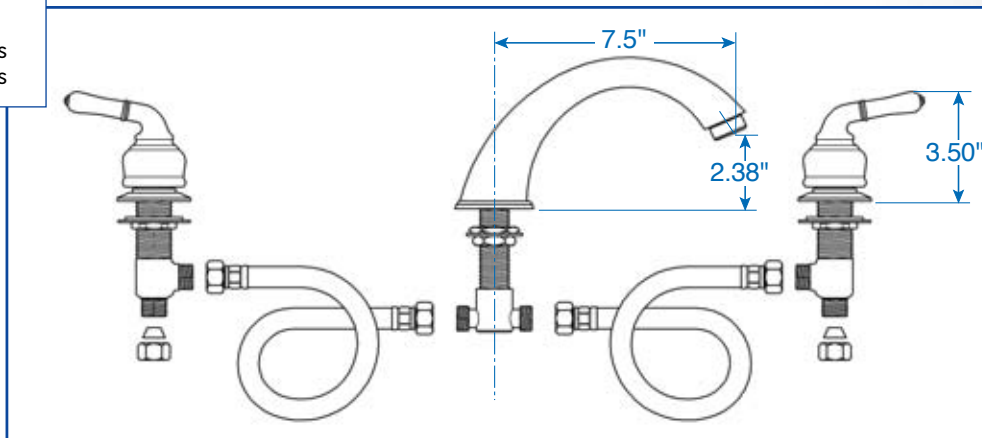
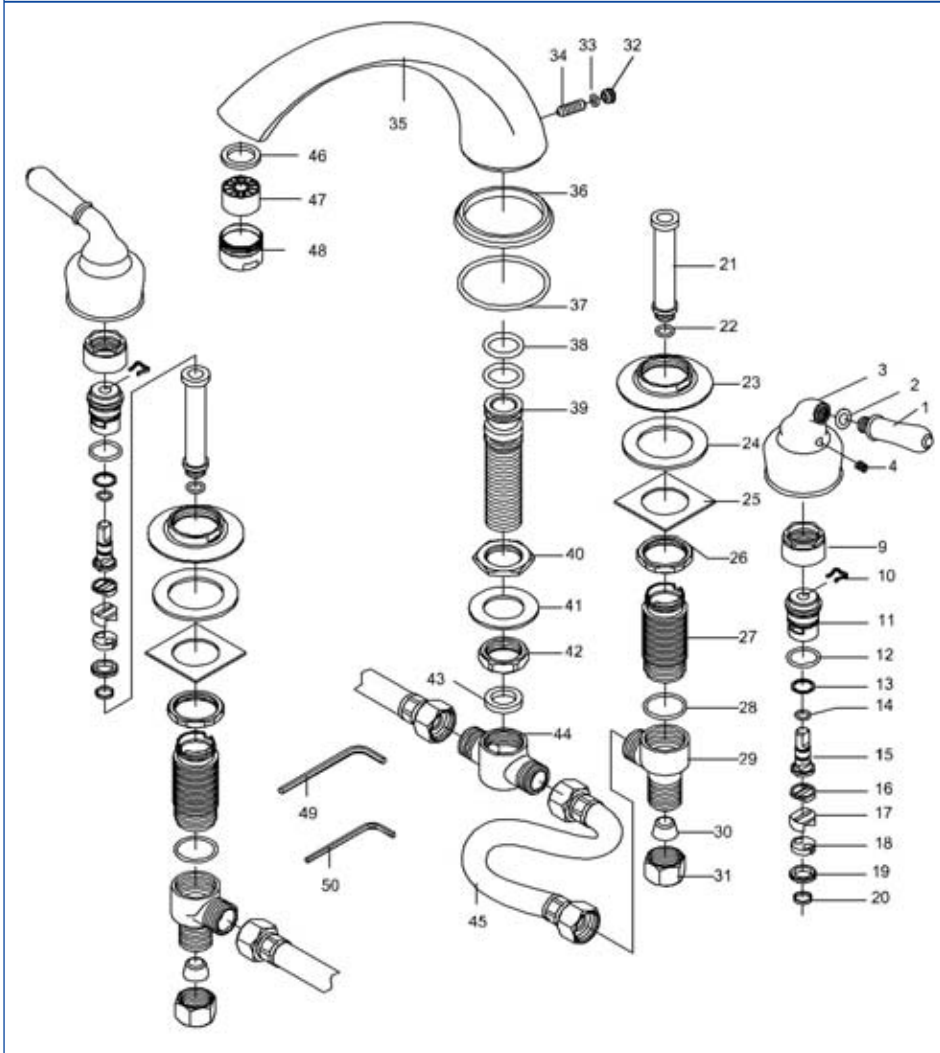
AE-151 ROMAN TUB FILLER



4/20/05

DESIGNED & PRODUCED BY JCM ADVERTISING.COM

No.	Part Title	Material
1	Handle Bar	Brass
2	Ring	NBR
3	Canopy	Zinc
4	Set Screw	Stainless
9	Nut	Brass
10	Clip	Brass
11	Cover Stem	Stainless
12	O-Ring	Brass
13	Washer	Brass
14	O-Ring	Brass
15	Stem	Brass
16	Silencer	NBR
17	Fix Ceramic	POM
18	Movement	NBR
19	Seat	Brass
20	Washer	ABS
21	Stem	Ceramic
22	O-Ring	Ceramic
23	Escutcheon	Silicon
24	Washer	Brass
25	Washer	Brass
26	Nut	NBR
27	Thread Copper	Brass
28	O-Ring	NBR
29	Faucet Body	Brass
30	Cone Washer	NBR
31	Couping Nut	Brass
32	Cover	Brass
33	O-Ring	NBR
34	Set Screw	Stainless
35	Sout	Brass
36	Escutcheon	Brass
37	O-Ring	NBR
38	O-Ring	NBR
39	Spout Shank	Brass
40	Lock Nut	Brass
41	Washer	NBR
42	Lock Nut	Brass
43	Washer	NBR
44	Connector	Brass
45	Hose	Stainless
46	Washer	NBR
47	Filter Net	POM
48	Aerator Cap	Brass
49	Allen Wrench	Stainless
50	Allen Wrench	Stainless



Product Spec sheet



BREWSTER, NY: P.O. Box 27 Route 22 Brewster, NY 10509
HOUSTON, TX: 1150 Silber Road Houston, TX 77055
LAPALMA, CT: 5593 Fresca Drive La Palma, CA 90623

Visit Our Web Site: www.matco-norca.com