



FEATURES & BENEFITS

- ❖ Solid Brass Construction
- ❖ Adjustable to Fit 4" - 16" Centers
- ❖ Lifetime Ceramic Cartridge
- ❖ 1/2" 14 NPT Inlet
- ❖ Solid Brass Lever Handles
- ❖ Solid Brass 5-1/2" Spout
- ❖ With Brass Pop-Up Assembly
- ❖ ADA Compliant
- ❖ Water Saving Aerator
- ❖ Max Flow Rate: 2.2GPM @ 60psi
- ❖ 100% Factory Pressure Tested Before Shipment

APPROVALS:

Meets or Exceeds
The Following:

- ❖ ANSI/ASME A112.18.1
- ❖ CSA B 125
- ❖ ANSI/NSF 61 - Sec. 9
- ❖ IAPMO/UPC



ALSO AVAILABLE:

**AE-150S - With PVD
Brushed Nickel Finish**

**AE-150B - With PVD
Brushed Nickel Finish**

AE-150KIT - Trim Kit

Kit converts chrome faucet to two-tone and includes handle inserts, aerator, and handle/spout, & base rings, all in PVD brass

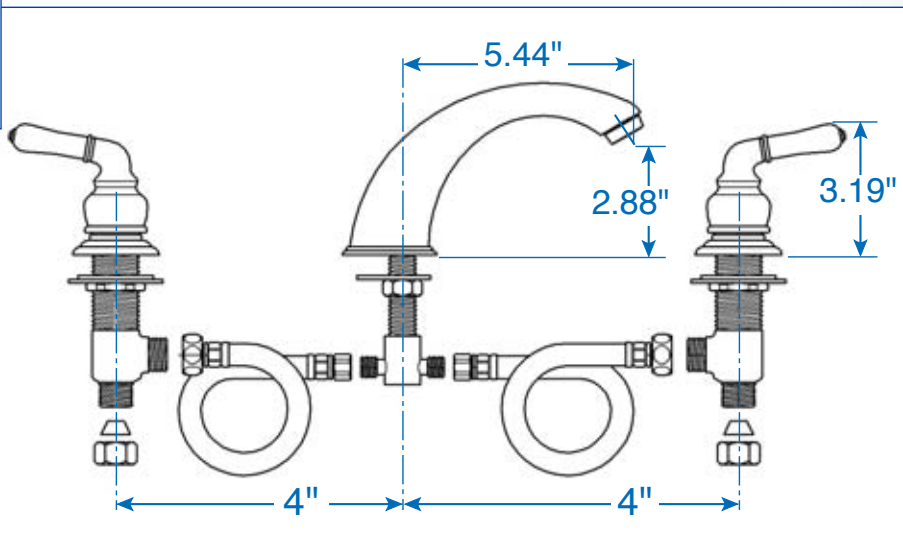
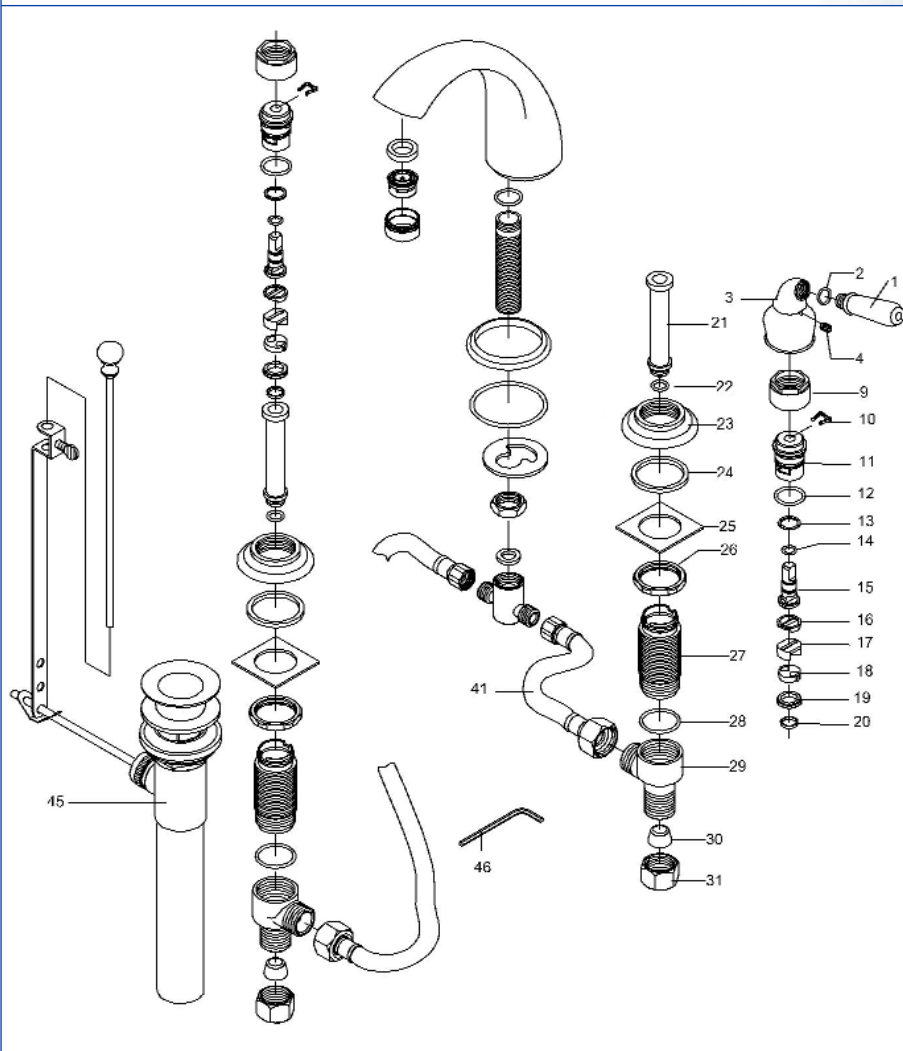
AE-150 WIDESPREAD LAVATORY FAUCET



4/20/05

DESIGNED & PRODUCED BY JCM ADVERTISING.COM

No.	Part Title	Material
1	Handle Bar	Brass
2	Ring	NBR
3	Canopy	Zinc
4	Set Screw	Stainless
9	Nut	Brass
10	Clip	Brass
11	Cover Stem	Stainless
12	O-Ring	Brass
13	Washer	Brass
14	O-Ring	Brass
15	Stem	Brass
16	Silencer	NBR
17	Fix Ceramic	POM
18	Movement	NBR
19	Seat	Brass
20	Washer	ABS
21	Stem	Ceramic
22	O-Ring	Ceramic
23	Escutcheon	Silicon
24	Washer	Brass
25	Washer	Brass
26	Nut	NBR
27	Thread Copper	Brass
28	O-Ring	NBR
29	Faucet Body	Brass
30	Cone Washer	NBR
31	Couping Nut	Brass
32	Spout	Brass
33	O-Ring	NBR
34	Spout Shank	Brass
35	Escutcheon	Brass
36	O-Ring	NBR
37	Washer	Steel
38	Lock Nut	Brass
39	Washer	NBR
40	Connector	Brass
41	Hose	Stainless
42	Washer	NBR
43	Filter Net	POM
44	Aerator Cap	Brass
45	Brass Pop-Up	Brass
46	Allen Wrench	Stainless



Product Spec Sheet



BREWSTER, NY: P.O. Box 27 Route 22 Brewster, NY 10509
HOUSTON, TX: 1150 Silber Road Houston, TX 77055
LAPALMA, CT: 5593 Fresca Drive La Palma, CA 90623

Visit Our Web Site: www.matco-norca.com