

AE-110PBW TUB & SHOWER SET

PRESSURE BALANCING VALVE

FEATURES & BENEFITS

- ❖ Scald Guard
- ❖ Pressure Balanced
- ❖ Adjustable Temperature Limit Stop
- ❖ FIP Connection
(available in female sweat connection as AE-110PBWC)
- ❖ Brass Waterway
- ❖ Integral Stops
- ❖ Adjustable Shower Head
- ❖ C.P. Brass Shower Arm
- ❖ Die Cast Zinc Tub Spout
- ❖ Metal Loop Handle
- ❖ Cartridge Reversible For Back-to-Back Installations
- ❖ 100% Factory Pressure Tested Before Shipment

APPROVALS:

Meets or Exceeds
The Following:

- ❖ ANSI/ASME A112.18.1
- ❖ CSA B 125
- ❖ ANSI/NSF 61 - Sec. 9
- ❖ IAPMO/UPC



ALSO AVAILABLE:

AE-110PBWS - With Brushed Nickel Finish

DESIGNED & PRODUCED BY JCM ADVERTISING

Product Spec Sheet



BREWSTER, NY: TEL: 800-431-2082 FAX: 914-278-9056
HOUSTON, TX: TEL: 800-935-5456 FAX: 800-683-4247
LAPALMA, CA: TEL: 866-532-8306 FAX: 866-832-8307

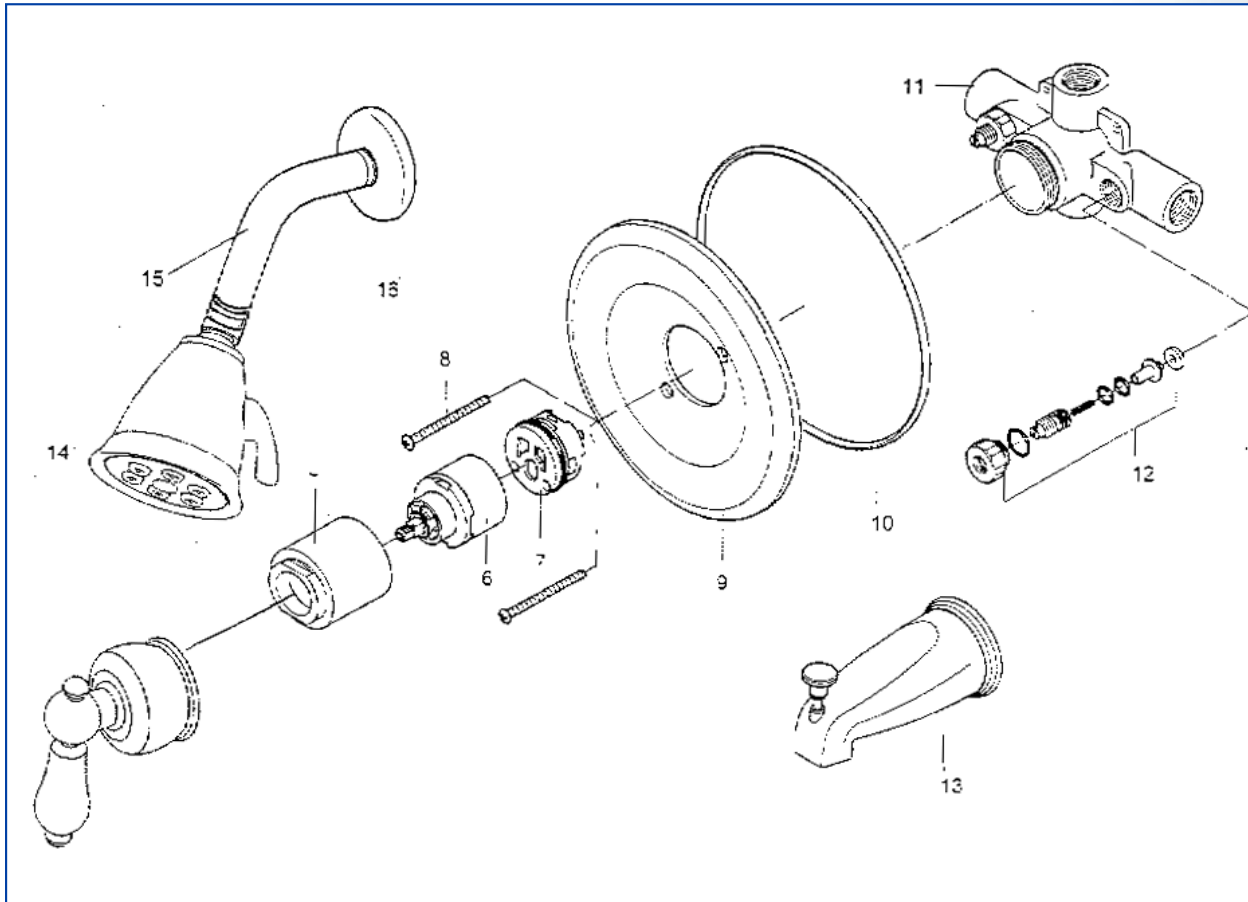
Visit Our Web Site: www.matco-norca.com

4/20/05

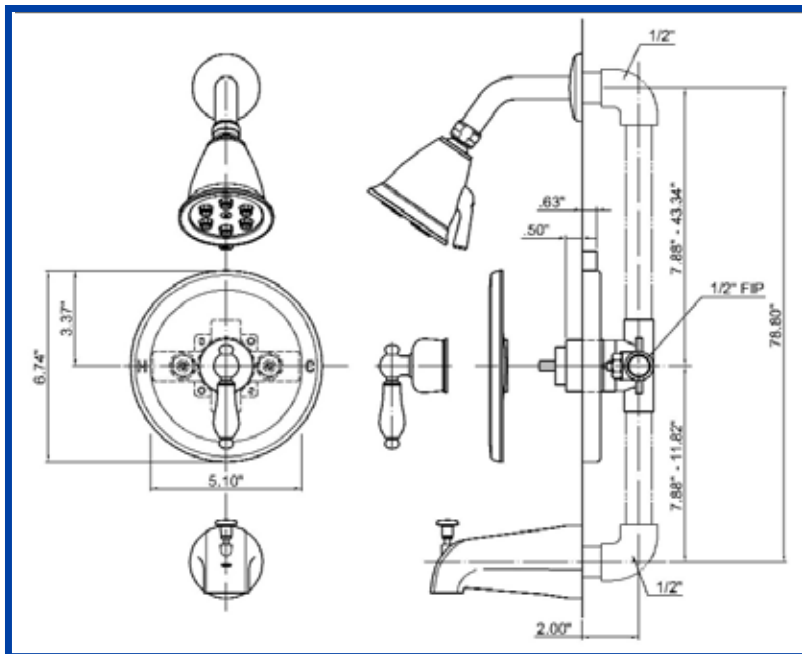
AE-110PBW TUB & SHOWER SET



4/20/05



Product Spec Sheet



No.	Part Title	Material
4	Handle	Brass
5	Hub Seat	Brass
6	Accurate Ceramic	Ceramic
7	Balance Device	Nory + Fiber
8	Screw	Brass
9	Escutcheon	Brass
10	Packing	PVC
11	Body	Brass
12	Diverter Body	Brass
13	Spout	Brass
14	Shower Head	Brass
15	Shower Arm	Brass
16	Shower Flange	SS 304
17	Escutcheon	Brass



BREWSTER, NY: P.O. Box 27 Route 22 Brewster, NY 10509
HOUSTON, TX: 1150 Silber Road Houston, TX 77055
LAPALMA, CT: 5593 Fresca Drive La Palma, CA 90623

Visit Our Web Site: www.matco-norca.com

DESIGNED & PRODUCED BY JCM ADVERTISING