

# AE-105PBW TUB & SHOWER SET

Product Spec Sheet

## FEATURES & BENEFITS

- ❖ Scald Guard
- ❖ Pressure Balanced
- ❖ Adjustable Temperature Limit Stop
- ❖ FIP Connection  
(available in female sweat connection as AE-105PBWC)
- ❖ Brass Waterway
- ❖ Integral Stops
- ❖ Adjustable Shower Head
- ❖ C.P. Brass Shower Arm
- ❖ Die Cast Zinc Tub Spout
- ❖ Metal Loop Handle
- ❖ Cartridge Reversible For Back-to-Back Installations
- ❖ 100% Factory Pressure Tested Before Shipment



### APPROVALS:

Meets or Exceeds  
The Following:

- ❖ ANSI/ASME A112.18.1
- ❖ CSA B 125
- ❖ ANSI/NSF 61 - Sec. 9
- ❖ IAPMO/UPC



### ALSO AVAILABLE:

AE-105PBWS - With Brushed Nickel Finish



**BREWSTER, NY:** TEL: 800-431-2082      FAX: 914-278-9056  
**HOUSTON, TX:** TEL: 800-935-5456      FAX: 800-683-4247  
**LAPALMA, CA:** TEL: 866-532-8306      FAX: 866-832-8307

Visit Our Web Site: [www.matco-norca.com](http://www.matco-norca.com)

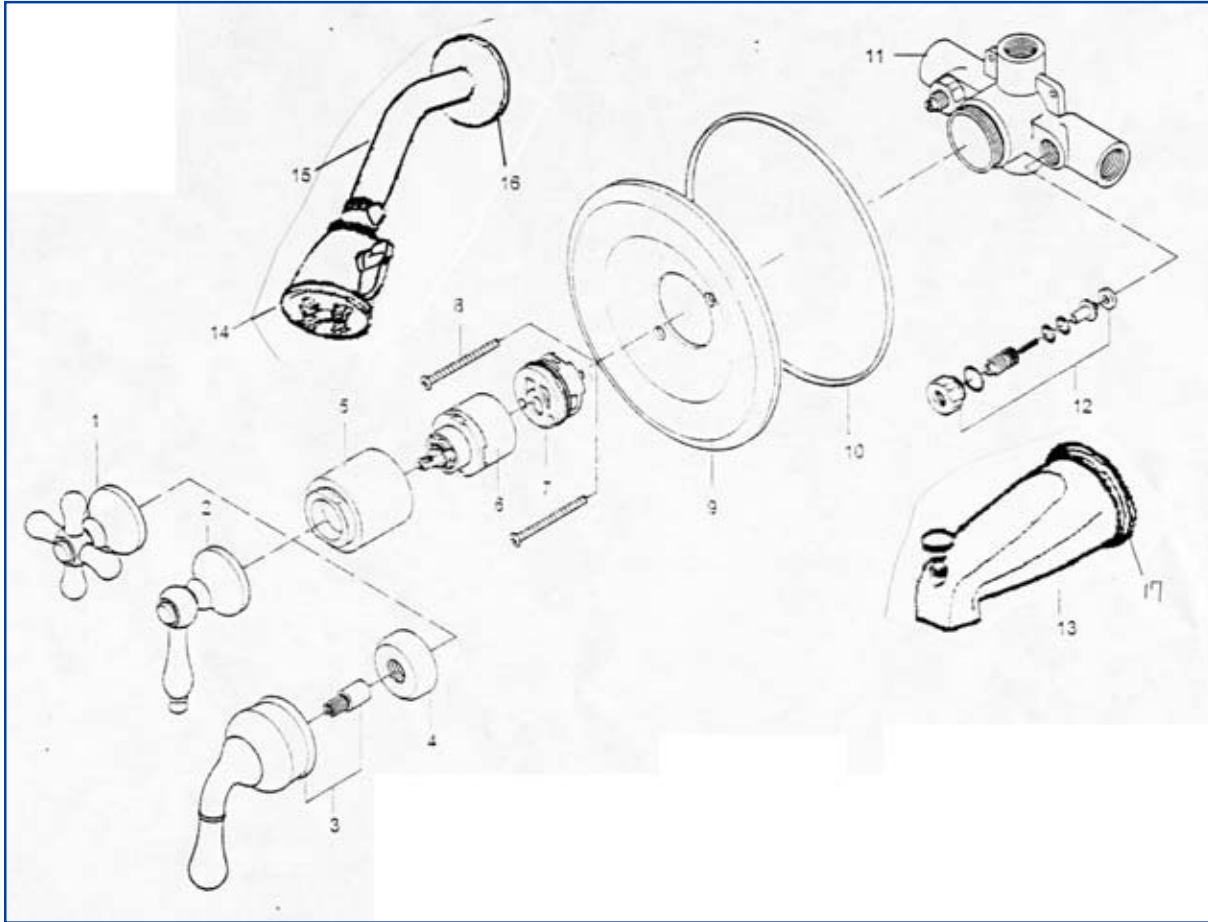
DESIGNED & PRODUCED BY JCM ADVERTISING

4/20/05

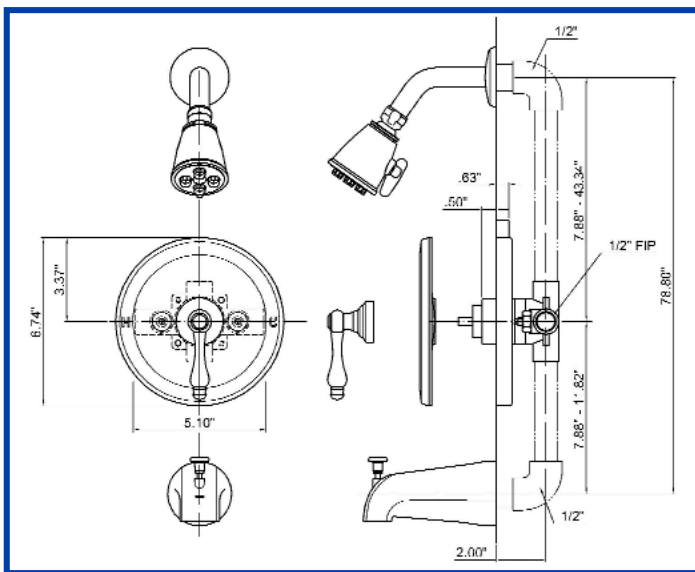
# AE-105PBW TUB & SHOWER SET



4/20/05



Product Spec Sheet



No.	Part Title	Material
1	Cross Handle	Brass
2	Lever Handle	Brass
3	Lever Handle	Zinc, Brass
4	Cap	ABS
5	Hub Seat	Brass
6	Washerless	
7	PB Valve	Noryl+Fiber
8	Screws	Brass
9	Escutcheon	Brass
10	Packing	PVC
11	Body	Brass
12	Stop Valve	Brass
13	Spout	Zinc
14	Showerhead	Brass
15	Shower Arm	Brass
16	Flange	Brass
17	Spout Flange	Brass



**BREWSTER, NY:** P.O. Box 27 Route 22 Brewster, NY 10509  
**HOUSTON, TX:** 1150 Silber Road Houston, TX 77055  
**LAPALMA, CT:** 5593 Fresca Drive La Palma, CA 90623

Visit Our Web Site: [www.matco-norca.com](http://www.matco-norca.com)

DESIGNED & PRODUCED BY JCM ADVERTISING