

# 759LF Brass Ball Valve • Spec Sheet



1/4" – 1-1/2"

## FEATURES & BENEFITS

- Lead Free Forged Brass
- Full Port
- Two Piece Body
- Blow-Out Proof Stem
- Chrome Plated Solid Brass Ball
- Thread Ends Comply Per ANSI B1.20.1
- Conforms to MSS-SP-110
- 600 WOG - 150 SWP 1/4" - 2"
- 400 WOG - 150 SWP 2-1/2" - 4"
- cUPC, NSF 61 and NSF 372 Approved
- CSA Gas Approved to 2" (IPS Only)

## APPLICATIONS

- Commercial & Light Industrial/ Steam, Water, Oil, Gas, Air

## IPS DIMENSIONS

Part #	Size	A	B	C	D	E	F
759T01LF	1/4"	1.73	0.45	3.07	Ø0.39	18NPT	1.44
759T02LF	3/8"	1.73	0.45	3.07	Ø0.39	18NPT	1.44
759T03LF	1/2"	2.05	0.55	3.07	Ø0.51	14NPT	1.54
759T04LF	3/4"	2.30	0.57	4.14	Ø0.71	14NPT	1.78
759T05LF	1"	2.80	0.69	4.14	Ø0.95	11.5NPT	1.96
759T06LF	1-1/4"	3.15	0.69	4.93	Ø1.20	11.5NPT	2.49
759T07LF	1-1/2"	3.51	0.71	4.93	Ø1.46	11.5NPT	2.67

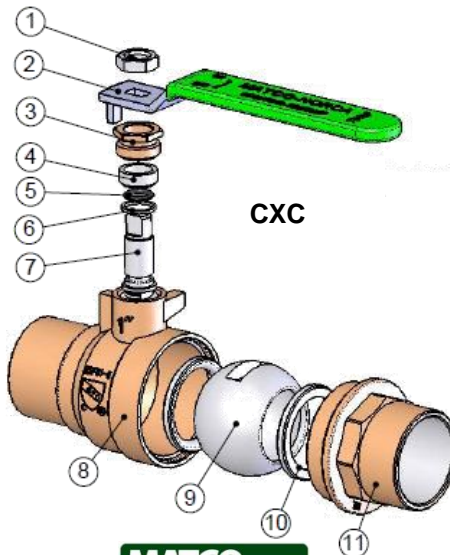
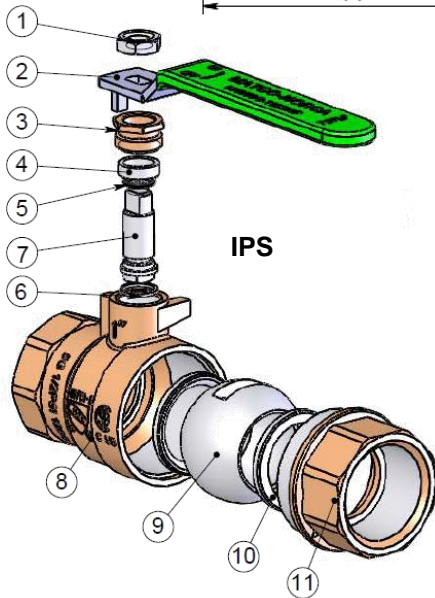
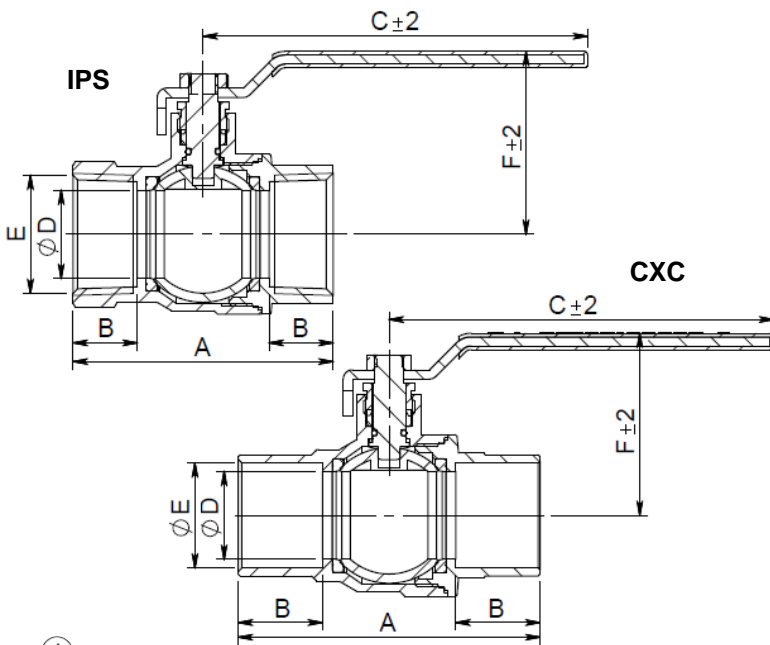
## CXC DIMENSIONS

Part #	Size	A	B	C	D	E	F
759C03LF	1/2"	1.97	0.49	3.07	Ø0.51	Ø0.63	1.54
759C04LF	3/4"	2.71	0.75	4.14	Ø0.71	Ø0.88	1.78
759C05LF	1"	3.25	0.91	4.14	Ø0.95	Ø1.13	1.96
759C06LF	1-1/4"	3.62	0.93	4.93	Ø1.20	Ø1.38	2.49
759C07LF	1-1/2"	4.29	1.10	4.93	Ø1.46	Ø1.63	2.67

## MATERIAL SPECIFICATION

No.	Part	Material
1	Hex Nut	Steel
2	Handle	Steel
3	Packing Nut	Brass C86400
4	Packing Gland	PTFE
5	O-Ring	EPDM
6	Washer	PTFE
7	Stem	Brass C36000
8	Body	Brass C46500
9	Ball	1/2"-1" C.P. Brass C46500 1-1/4"&1-1/2" SS 304
10	Seat	PTFE
11	Body	Brass C46500

\*This product complies with 0.25% weighted average lead content on wetted surfaces in accordance with the Safe Drinking Water Act (SDWA) / Federal Public Law No. 111-380.



# 759LF Brass Ball Valve • Spec Sheet



2" – 4"

## FEATURES & BENEFITS

- Lead Free Forged Brass
- Full Port
- Two Piece Body
- Blow-Out Proof Stem
- Chrome Plated Solid Brass Ball
- Thread Ends Comply Per ANSI B1.20.1
- Conforms to MSS-SP-110
- 600 WOG - 150 SWP 1/4" - 2"
- 400 WOG - 150 SWP 2-1/2" - 4"
- cUPC, NSF 61 and NSF 372 Approved
- CSA Gas Approved to 2" (IPS Only)

## APPLICATIONS

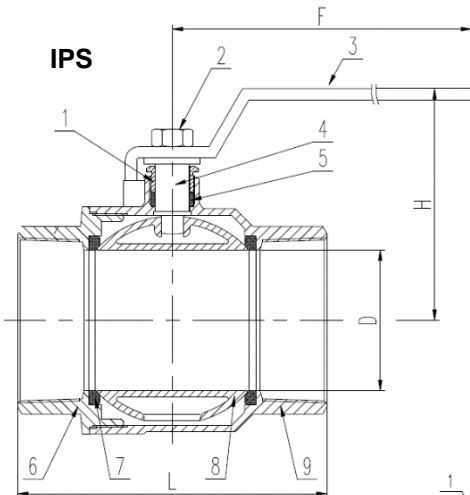
- Commercial & Light Industrial/ Steam, Water, Oil, Gas, Air

## IPS DIMENSIONS

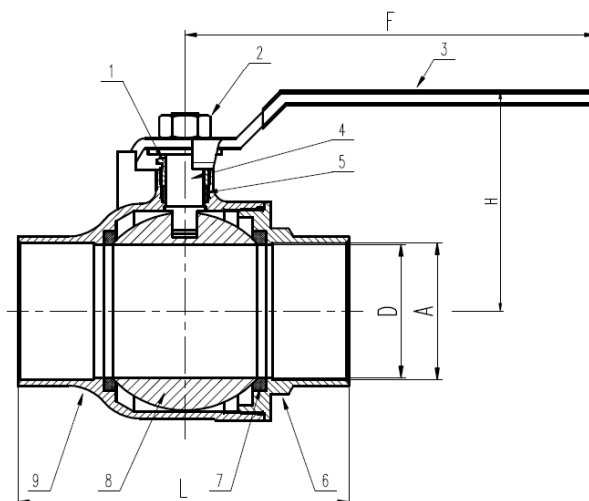
Part #	Size	L	D	H	F
759T08LF	2"	4.41	Ø1.97	3.27	5.52
759T09LF	2-1/2"	5.99	Ø2.56	4.59	9.06
759T10LF	3"	6.50	Ø2.96	4.87	9.06
759T11LF	4"	7.76	Ø3.90	5.67	10.1

## CXC DIMENSIONS

Part #	Size	L	D	A	H	F
759C08LF	2"	5.34	Ø1.97	Ø2.13	3.27	5.52
759C09LF	2-1/2"	6.38	Ø2.56	Ø2.63	4.24	7.92
759C10LF	3"	7.17	Ø2.96	Ø3.13	5.04	9.89
759C11LF	4"	9.22	Ø3.90	Ø4.13	5.71	9.89



CXC



## MATERIAL SPECIFICATION

No.	Part	Material
1	Gland Nut	Brass C86400
2	Hex Nut	Steel
3	Handle	Steel
4	Stem	Brass C36000
5	Stem Packing	PTFE
6	End Cap	Brass C46400
7	Seat	PTFE
8	Ball	C.P. Brass C86400
9	Body	Brass C46400

\*This product complies with 0.25% weighted average lead content on wetted surfaces in accordance with the Safe Drinking Water Act (SDWA) / Federal Public Law No. 111-380.

**MATCO**  
**NORCA**

# 759LHLF Ball Valve w/ Locking Handle • Spec Sheet



\*Product will have LF imprinted on the body for Lead Free

1/4" - 2"

## FEATURES & BENEFITS

- Lead Free Brass
- Full Port
- With Locking Handle
- Two Piece Body
- Blow-Out Proof Stem
- Thread Ends Comply Per ANSI B1.20.1
- Conforms to MSS-SP-110
- 600 PSI Non-Shock / CWP 150 PSI SWP
- cUPC, NSF 61 and NSF 372 Approved
- CSA Gas Approved to 2" (IPS Only)

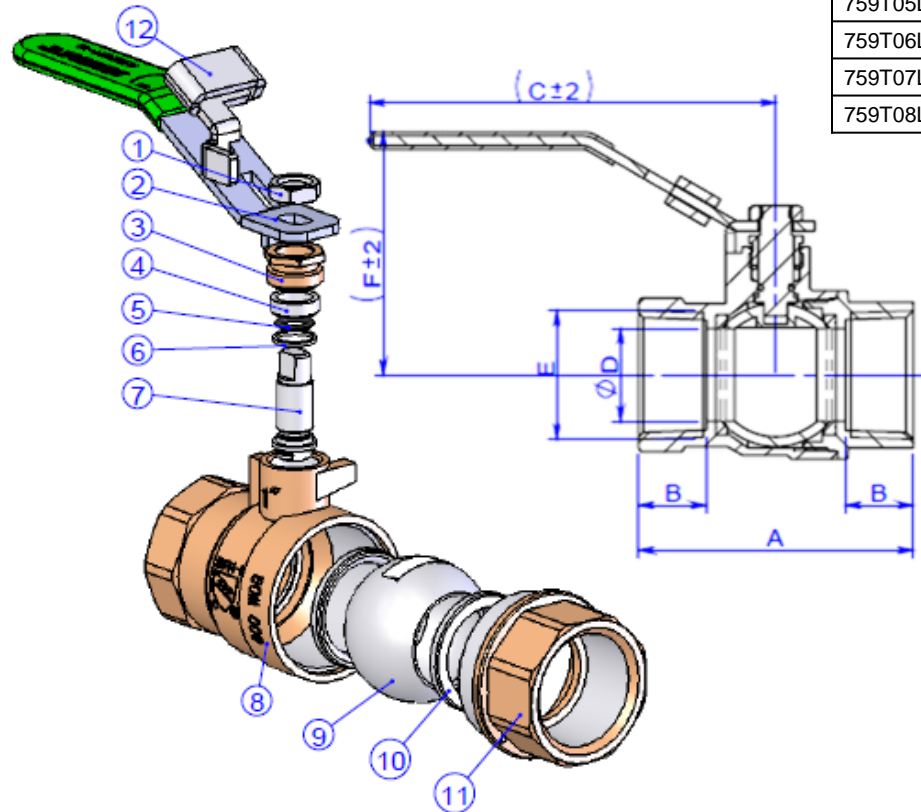
## DIMENSIONS

Part #	Size (E)	A	B	C	D	F
759T01LHLF	1/4"	1.73	0.45	3.15	Ø0.39	1.84
759T02LHLF	3/8"	1.73	0.45	3.15	Ø0.39	1.84
759T03LHLF	1/2"	2.05	0.55	3.15	Ø0.51	1.94
759T04LHLF	3/4"	2.30	0.57	4.14	Ø0.71	2.29
759T05LHLF	1"	2.80	0.69	4.14	Ø0.95	2.47
759T06LHLF	1-1/4"	3.15	0.69	4.93	Ø1.20	3.04
759T07LHLF	1-1/2"	3.51	0.71	4.93	Ø1.46	3.22
759T08LHLF	2"	4.20	0.75	7.09	Ø1.95	3.72

## MATERIAL SPECIFICATIONS

No.	Part	Material
1	Hex-nut	Steel
2	Handle	Steel
3	Packing Nut	Brass
4	Packing Gland	PTFE
5	O-Ring	EPDM
6	Washer	PTFE
7	Stem	1/2"-1" Brass C46500 1-1/4"-2" Brass 36000
8	Body	Brass C46500
9	Ball	1/2"-1" C.P Brass C46500 1-1/4"-2" SS 304
10	Seat	PTFE
11	Bonnet	Brass C46500
12	Lock Catch	Steel

\*This product complies with 0.25% weighted average lead content on wetted surfaces in accordance with the Safe Drinking Water Act (SDWA) / Federal Public Law No. 111-380.



# 759LHLF Ball Valve w/ Locking Handle • Spec Sheet



\*Product will have LF imprinted on the body for Lead Free

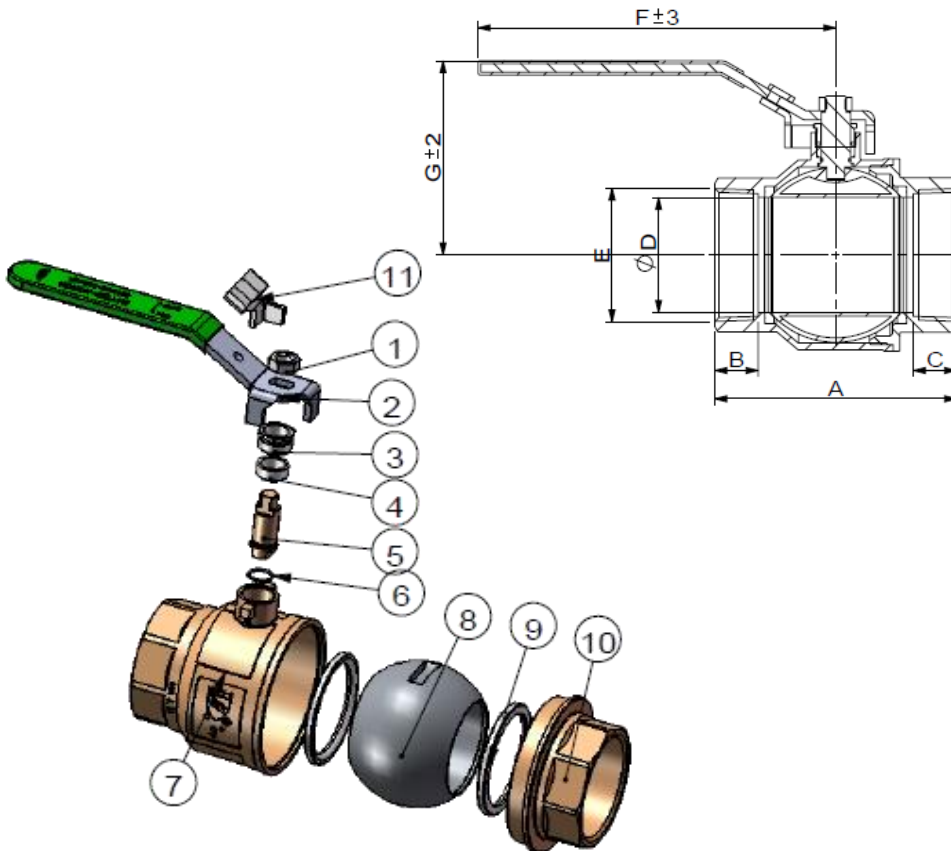
2-1/2" - 4"

## FEATURES & BENEFITS

- Lead Free Brass
- Full Port
- With Locking Handle
- Two Piece Body
- Blow-Out Proof Stem
- Thread Ends Comply Per ANSI B1.20.1
- Conforms to MSS-SP-110
- 600 PSI Non-Shock / CWP 150 PSI SWP
- cUPC, NSF 61 and NSF 372 Approved
- CSA Gas Approved to 2" (IPS Only)

## DIMENSIONS

Part #	Size (E)	A	B	C	D	F	G
759T09LHLF	2-1/2"	5.56	1.06	1.06	Ø2.50	9.46	4.75
759T10LHLF	3"	6.38	1.14	1.14	Ø3.03	9.46	5.12
759T11LHLF	4"	7.55	1.20	1.20	Ø3.94	9.46	5.87



## MATERIAL SPECIFICATIONS

No.	Part	Material
1	Hex-nut	Steel
2	Handle	Steel
3	Packing Nut	Brass
4	Packing Gland	PTFE
5	Stem	Brass C46500
6	O-Ring	EPDM
7	Body	Brass C46500
8	Ball	Stainless Steel
9	Seat	PTFE
10	Bonnet	Brass C46500

\*This product complies with 0.25% weighted average lead content on wetted surfaces in accordance with the Safe Drinking Water Act (SDWA) / Federal Public Law No. 111-380.



# 759LF Brass Ball Valve With Tee Handle • Spec Sheet



## FEATURES & BENEFITS

- Lead Free Forged Brass
- Full Port
- Two Piece Body
- Blow-Out Proof Stem
- Chrome Plated Solid Brass Ball
- Thread Ends Comply Per ANSI B1.20.1
- Conforms to MSS-SP-110
- 600 PSI Non-Shock / CWP 150 PSI SWP
- cUPC, NSF 61 and NSF 372 Approved
- CSA Gas Approved to 2" (IPS Only)

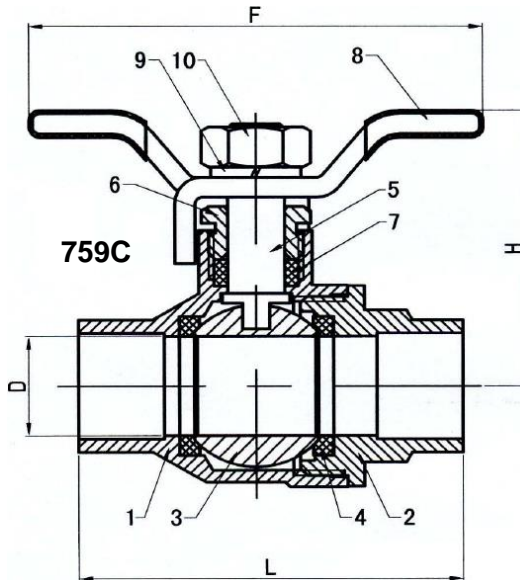
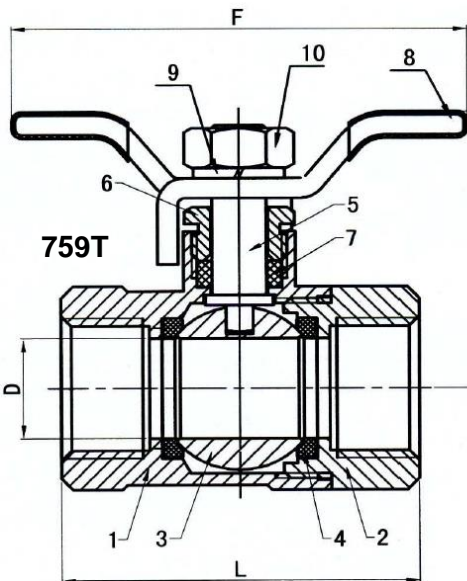
## APPLICATIONS

- Commercial & Light Industrial/ Steam, Water, Oil, Gas, Air

## DIMENSIONS

Part #	IPS	Size	L	H	D	F
759T01TLF	1/4"		1.69	1.48	.39	2.92
759T03TLF	1/2"		2.07	1.62	0.59	2.92
759T04TLF	3/4"		2.38	1.97	0.75	3.43
759T05TLF	1"		2.90	2.13	0.99	3.43

Part #	CxC	Size	L	H	D	F
759C03TLF	1/2"		2.25	1.62	0.59	2.92
759C04TLF	3/4"		2.82	1.97	0.75	3.43
759C05TLF	1"		3.31	2.13	0.99	3.43



## MATERIAL SPECIFICATION

No.	Part	Material
1	Body	Brass
2	End Cap	Brass
3	Ball	Brass
4	Seat	PTFE
5	Stem	Brass
6	Gland Nut	Brass
7	Stem Packing	PTFE
8	Handle	Steel
9	Lock Washer	Brass
10	Hex Nut	Brass

\*This product complies with 0.25% weighted average lead content on wetted surfaces in accordance with the Safe Drinking Water Act (SDWA) / Federal Public Law No. 111-380.

**MATCO**  
**NORCA**



# 759TSLF Ball Valve With Thumb Grip Handle • Spec Sheet



## FEATURES & BENEFITS

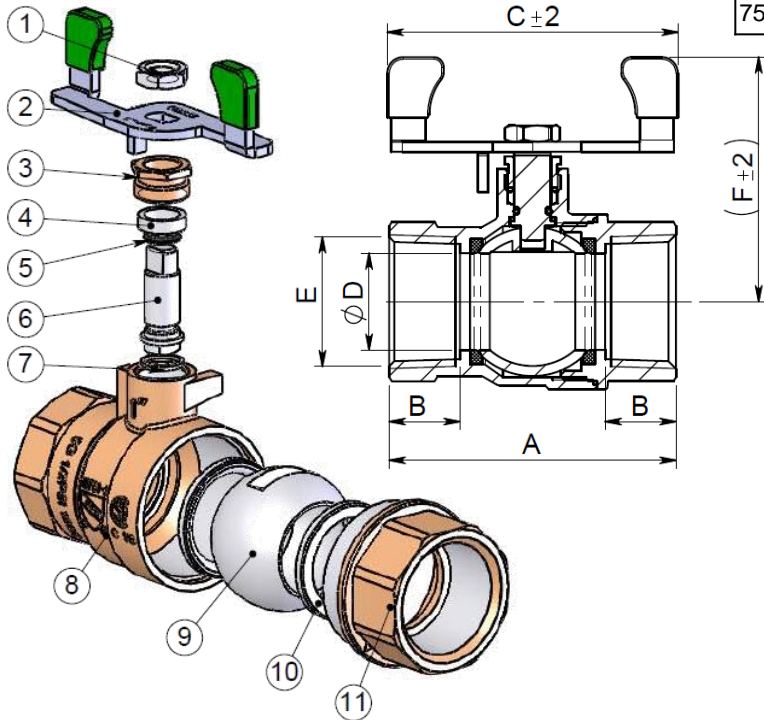
- Full Port
- Forged Brass
- Two Piece Body
- PTFE Seats
- Blow-Out Proof Stem
- Thread Ends Comply Per ANSI B1.20.1
- Conforms to MSS-SP-110
- 600 PSI Non-Shock / CWP 150 PSI SWP
- cUPC, NSF 61 and NSF 372 Approved
- CSA Gas Approved to 2" (IPS Only)

## APPLICATIONS

- Commercial & Light Industrial/ Steam, Water, Oil, Gas, Air
- Stainless Steel T Handle Is Excellent For Underground & Close Quarter Applications

## DIMENSIONS

Part #	Size	A	B	C	D	E	F
759T03TSLF	1/2"	2.05	0.55	2.52	Ø0.51	1/2-14NPT	1.90
759T04TSLF	3/4"	2.30	0.57	2.84	Ø0.71	3/4-14NPT	2.21
759T05TSLF	1"	2.80	0.69	2.84	Ø0.95	1-11.5NPT	2.39



## MATERIAL SPECIFICATION

No.	Part	Material
1	Hex-Nut	Stainless Steel
2	Handle	Stainless Steel
3	Packing Nut	Local Brass
4	Packing Gland	PTFE
5	O-Ring	EPDM
6	Stem	1/2"-1" Brass C46500 1-1/4"-2" Brass 36000
7	Washer	PTFE
8	Body	Brass C46500
9	Ball	1/2"-1" Brass C46500 1-1/4"-2" Brass 36000
10	Seat	PTFE
11	Bonnet	Brass C46500

\*This product complies with 0.25% weighted average lead content on wetted surfaces in accordance with the Safe Drinking Water Act (SDWA) / Federal Public Law No. 111-380.

**MATCO**  
**NORCA**