

# FY-691 / FY-692 BRASS HOSE BIBB



- ❖ Rough Brass Or Chrome Plated Finish
- ❖ Plain End Outlet ❖ 1/2" MIP Inlet

Product Spec Sheet

ISO 9001:2000

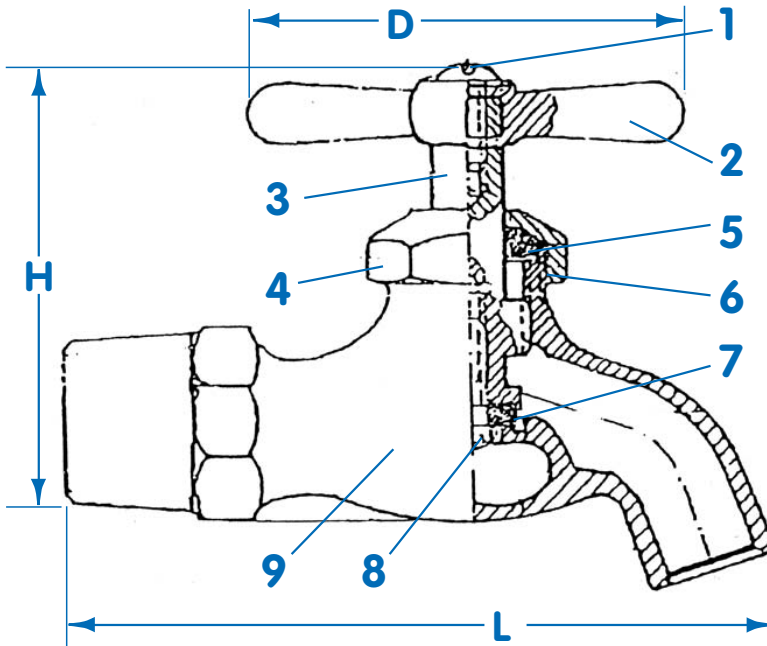


### MATERIAL SPECIFICATIONS

NO.	Part	Material
1	Bolt	Iron
2	Handle	Zinc
3	Stem	Brass
4	Packing Nut	Brass
5	Packing	Rubber
6	Washer	Stainless Steel
7	Seat Washer	Rubber
8	Seat Screw	Brass
9	Body	Brass
10	Flange	Brass

### DIMENSIONS

SIZE	H	D	L
1/2" MIP	2.29	2.21	3.35



**Brewster, NY**  
 TEL: 800-431-2082  
 FAX: 800-640-2252

**Houston, TX**  
 TEL: 800-935-5456  
 FAX: 800-683-4247

**La Palma, CA**  
 TEL: 866-532-8306  
 FAX: 866-532-8307

**Americus, GA**  
 TEL: 800-433-7526  
 FAX: 800-533-5134

e-mail: [mail@matco-norca.com](mailto:mail@matco-norca.com)

[www.matco-norca.com](http://www.matco-norca.com)