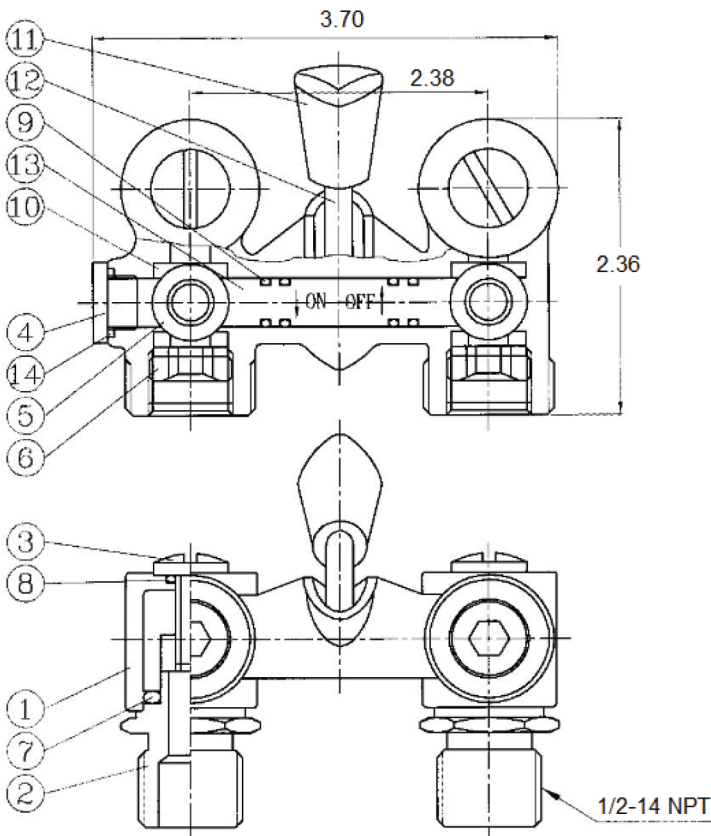


WSI-050 Washing Machine Valve • Spec Sheet



FEATURES & BENEFITS

- Bronze Body-Ball Valve Style
- Single Lever Operation
- Dual 1/2" MIP Inlet
- Dual 3/4" Male Hose Outlet
- Pipe Threads Comply w / ANSI B1.20.1
- Hose Threads Comply w / ANSI B1.20.7



MATERIAL SPECIFICATIONS

No.	Part	Material
1	Body	Bronze C84400
2	NPT Thread	Brass Rod
3	Set Screw	Stainless Steel 304
4	Side Screw	Brass Rod
5	Ball Disc	Brass Rod
6	Hollow Plug	Brass Rod
7	O-Ring	Rubber NBR
8	O-Ring	Rubber NBR
9	O-Ring	Rubber NBR
10	Seat Seal	PTFE
11	Envelope	Plastic
12	Handle	Stainless Steel 304
13	Stem	Brass Rod
14	O-Ring	Rubber NBR



CALIFORNIA 5595 Fresca Dr., La Palma CA 90623
TEXAS 1150 Silber Rd., Houston TX 77055
ILLINOIS 278 Windy Point Dr., Glendale Heights, IL 60139
GEORGIA 113 Industrial Blvd., Americus, Georgia 31709
NEW YORK PO Box 27, Rt.22, Brewster NY 10509
 WEB: www.matco-norca.com

• Phone: 866-532-8306 • Fax: 866-532-8307
 • Phone: 800-935-5456 • Fax: 713-680-2999
 • Phone: 844-412-5068 • Fax: 800-640-2252
 • Phone: 800-433-7526 • Fax: 800-533-5134
 • Phone: 800-431-2082 • Fax: 845-278-9056
 EMAIL: mail@matco-norca.com