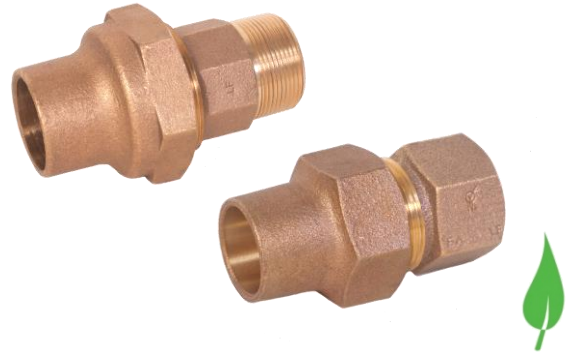


WSFFA / WSFMA Bronze Adapters

Specification Sheet

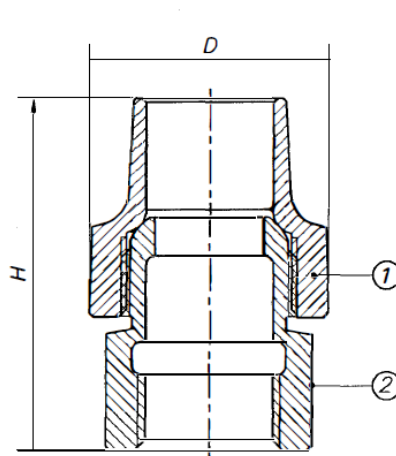
FEATURES & BENEFITS

- Lead Free Bronze
- WSFFA - Flare x Flare Female Adapter
- WSFMA - Flare x MIP Male Adapter
- NSF/ANSI by IAPMO
- Sizes 1" - 2"

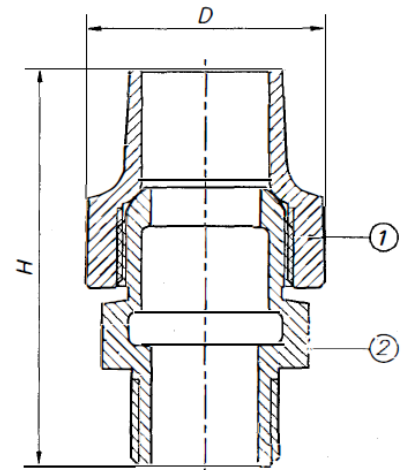


DIMENSIONS

Part #	Size	D	H
Flare x Flare Female Adapter			
WSFFA05LF	1"	2.17	3.19
WSFFA06LF	1-1/4"	2.61	3.37
WSFFA07LF	1-1/2"	3.25	3.98
WSFFA08LF	2"	3.88	4.77
Flare x MIP Male Adapter			
WSFMA04LF	3/4"	1.75	3.35
WSFMA05LF	1"	2.17	3.74
WSFMA06LF	1-1/4"	2.61	4.10
WSFMA07LF	1-1/2"	3.25	4.69
WSFMA08LF	2"	3.88	5.58



WSFFA



WSFMA

MATERIAL SPECIFICATIONS

No.	Part	Material
1	Flare Nut	Bronze C84400
2	Nipple	Bronze C84400

