

Three Handle Tub & Shower Faucet

Product Spec Sheet



FEATURES & BENEFITS

- Acrylic Round Handles
- Washerless Cartridges
- Non Pressure Balanced
- Spout Without Diverter
- Max Flow Rate 1.75 gpm (6.6 L/min) at 80 psi
- Min Flow Rate 1.3 gpm (4.92 L/min) at 45 psi (ASME A112.18.1M/A112.18.1)

VE-872C
Chrome Finish

APPROVALS:

Meets or Exceeds The Following:

* ANSI/ASME A112.18.1M/A112.18.1



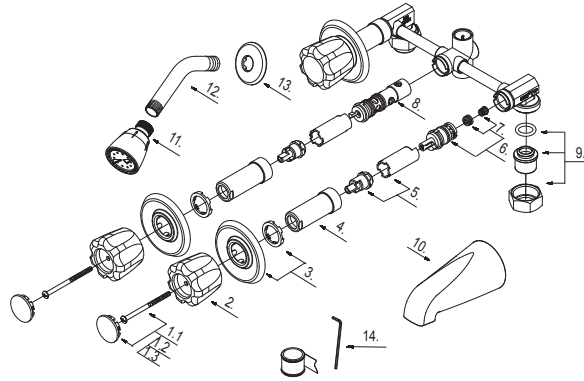
* WaterSense Only On Models Containing Showerheads

CALIFORNIA:	TEL: 866-532-8306	FAX: 866-532-8307
TEXAS:	TEL: 800-935-5456	FAX: 800-683-4247
NEW YORK:	TEL: 800-431-2082	FAX: 800-640-2252

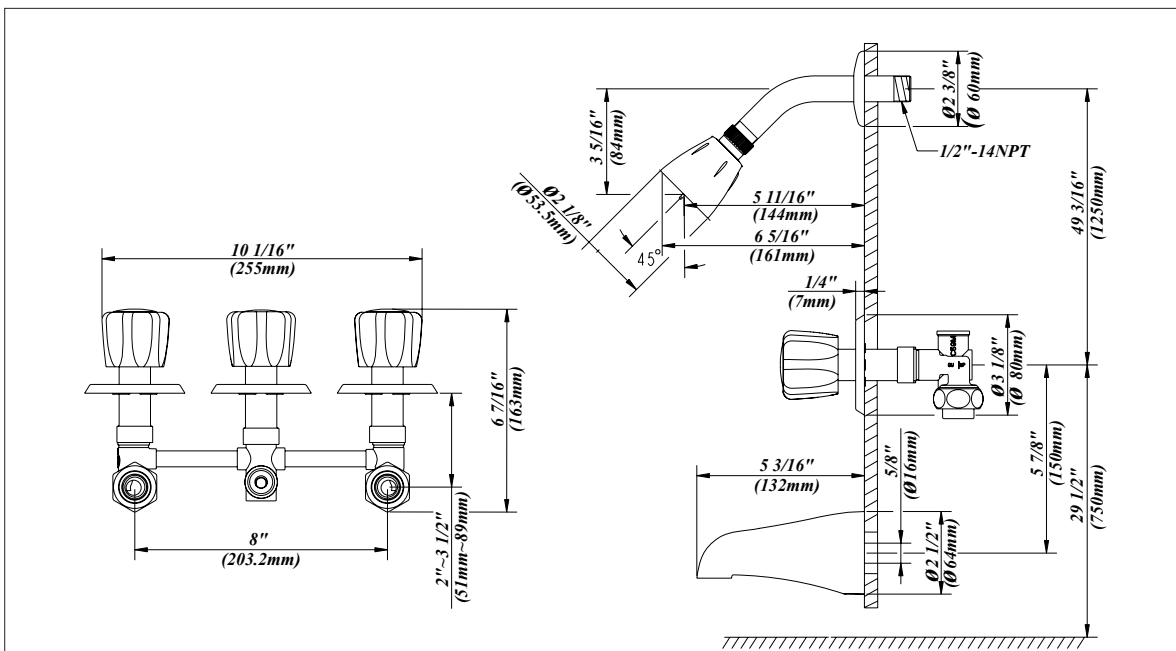
Visit Our Web Site : www.matco-norca.com

Three Handle Tub & Shower Faucet

No.	Name	Part No.
1.1	Index Button-Cold	A66D694C
1.2	Index Button-Hot	A66D694H
1.3	Index Button-Diverter	A66D694M
2	Acrylic Handle	A029001
3	Escutcheon	A111001-S
4	Sleeve	A216106
5	Stem Extension-Hot	A517000H
6	Cartridge Assembly	A66D636N
7	Seat & Spring Set	A663002
8	Diverter Cartridge	A501016
9	Union Nut	A603668
10	Spout	A132025
11	Shower Head	S1213202
12	Shower Arm	A020002
13	Shower Arm Flange	A019001
14	Hex Wrench (H3.18 *20 mm L * 90 mm L)	A031017NI



Product Spec Sheet



CALIFORNIA:
TEXAS:
NEW YORK:

TEL: 866-532-8306
TEL: 800-935-5456
TEL: 800-431-2082

FAX: 866-532-8307
FAX: 800-683-4247
FAX: 800-640-2252

Visit Our Web Site : www.matco-norca.com