

## **Three Handle Tub & Shower Faucet**

# **Product Spec Sheet**



### **FEATURES & BENEFITS**

- Metal Round Handles
- Washerless Cartridges
- Non Pressure Balanced
- Spout Without Diverter
- Max Flow Rate 1.75 gpm (6.6 L/min) at 80 psi
- Min Flow Rate 1.3 gpm (4.92 L/min) at 45 psi (ASME A112.18.1M/A112.18.1)

VE-870C  
Chrome Finish

#### **APPROVALS:**

Meets or Exceeds The Following:

\* ANSI/ASME A112.18.1M/A112.18.1



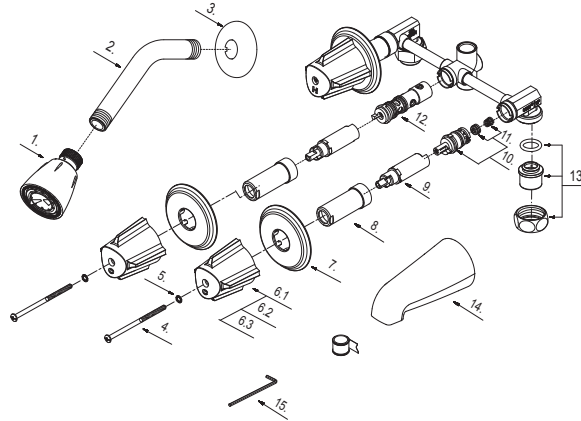
\* WaterSense Only On Models Containing Showerheads

<b>CALIFORNIA:</b>	<b>TEL: 866-532-8306</b>	<b>FAX: 866-532-8307</b>
<b>TEXAS:</b>	<b>TEL: 800-935-5456</b>	<b>FAX: 800-683-4247</b>
<b>NEW YORK:</b>	<b>TEL: 800-431-2082</b>	<b>FAX: 800-640-2252</b>

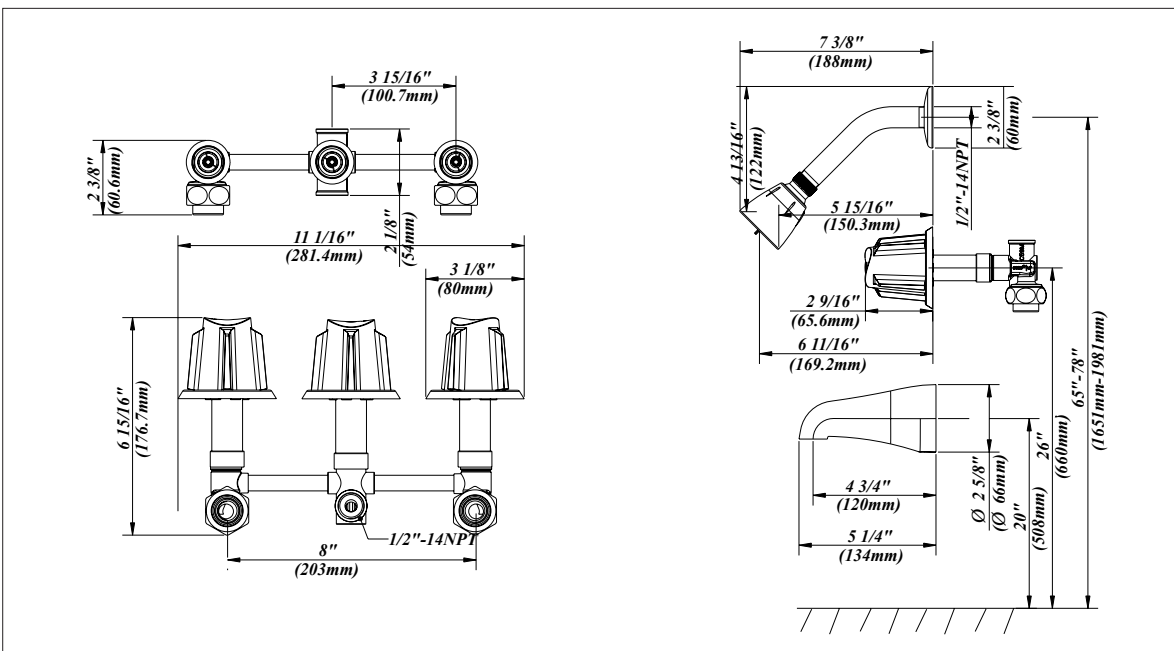
Visit Our Web Site : [www.matco-norca.com](http://www.matco-norca.com)

# Three Handle Tub & Shower Faucet

No.	Name	Part No.
1	Shower Head	S1213202
2	Shower Arm	A020002
3	Shower Arm Flange	A019001
4	Screw	A008019
5	Washer	A080010ZN
6.1	Metal Handle-Cold	A069128C
6.2	Metal Handle-Hot	A069128H
6.3	Metal Handle-Diverter	A069128M
7	Escutcheon	A111001-S
8	Sleeve	A216106
9	Stem Extension-Hot	A517000H
10	Cartridge Assembly	A66D636N
11	Seat & Spring Set	A663002
12	Diverter Cartridge	A501016
13	Union Nut	A603668
14	Spout	A132025
15	Hex Wrench	(H 3.18 * 20 mm L * 90 mm L) A031017NI



# Product Spec Sheet



CALIFORNIA:  
TEXAS:  
NEW YORK:

TEL: 866-532-8306  
TEL: 800-935-5456  
TEL: 800-431-2082

FAX: 866-532-8307  
FAX: 800-683-4247  
FAX: 800-640-2252

Visit Our Web Site : [www.matco-norca.com](http://www.matco-norca.com)