

Three Handle Tub & Shower Faucet

Product Spec Sheet



FEATURES & BENEFITS

- Metal Round Handles
- Washerless Cartridges
- Non Pressure Balanced
- Spout Without Diverter
- Max Flow Rate 1.75 gpm (6.6 L/min) at 80 psi
- Min Flow Rate 1.3 gpm (4.9 L/min) at 45 psi (ASME A112.18.1M/A112.18.1)

VE-870C
Chrome Finish

APPROVALS:

Meets or Exceeds The Following:

- * ANSI/ASME A112.18.1M/A112.18.1
- * IAPMO/cUPC



* WaterSense Only On Models Containing Showerheads

CALIFORNIA:
TEXAS:
NEW YORK:
ILLINOIS:

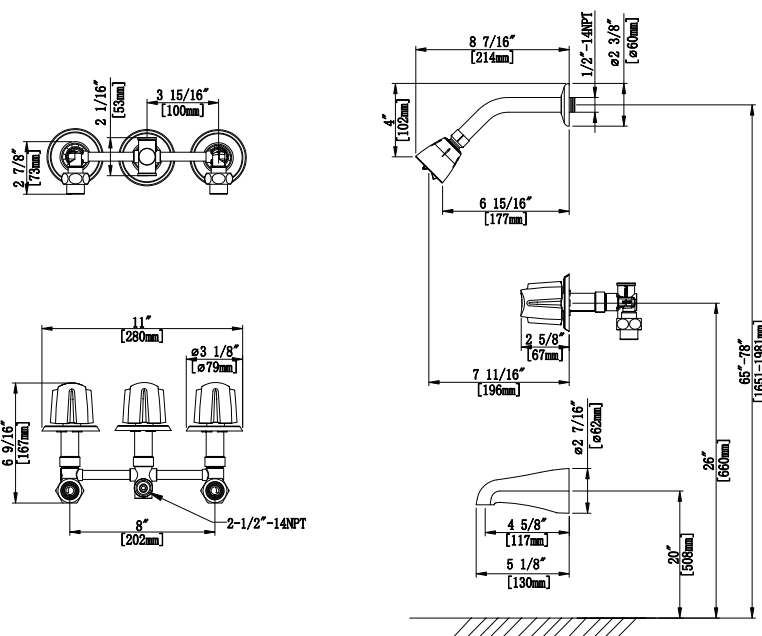
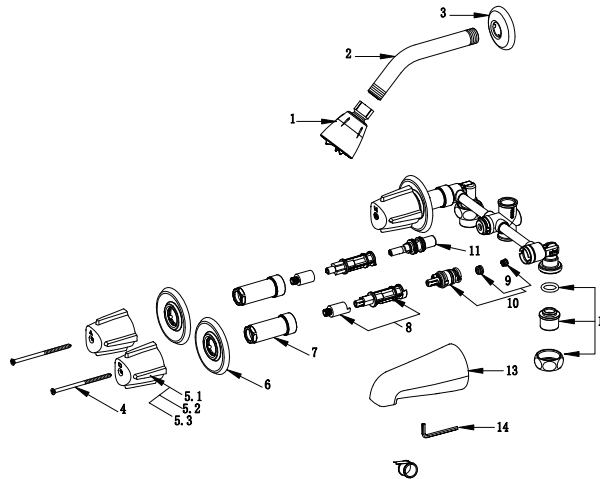
TEL: 866-532-8306
TEL: 800-935-5456
TEL: 800-431-2082
TEL: 844-412-5068

FAX: 866-532-8307
FAX: 800-683-4247
FAX: 800-640-2252
FAX: 800-640-2252

Visit Our Web Site : www.matco-norca.com

Three Handle Tub & Shower Faucet

No.	Name	Part No.
1	Shower Head	635018
2	Shower Arm	616063
3	Shower Arm Flange	620031
4	Screw	620002
5.1	Metal Handle-Cold	623086
5.2	Metal Handle-Hot	623085
5.3	Metal Handle-Diverter	623087
6	Escutcheon	620010
7	Sleeve	622009
8	Stem Extension-Hot	627014
9	Seat & Spring Set	642024
10	Cartridge Assembly	626001
11	Diverter Cartridge	630005
12	Union Nut	644003
13	Spout Less Diverter	617034
14	Hex Wrench (H8*20 mm L* 57 mm L)	642121



Product Spec Sheet

CALIFORNIA:
TEXAS:
NEW YORK:
ILLINOIS:

TEL: 866-532-8306
TEL: 800-935-5456
TEL: 800-431-2082
TEL: 844-412-5068

FAX: 866-532-8307
FAX: 800-683-4247
FAX: 800-640-2252
FAX: 800-640-2252

Visit Our Web Site : www.matco-norca.com