

**VE-832C**  
 **VE-812C**

**VE-822C**



## **Two Handle Tub & Shower Faucet**

# **Product Spec Sheet**



### **FEATURES & BENEFITS**

- Acrylic Round Handles
- Washerless Cartridges
- Non Pressure Balanced
- Diverter Slip Fit Spout
- Max Flow Rate 1.75 gpm (6.6 L/min) at 80 psi
- Min Flow Rate 1.3 gpm (4.92 L/min) at 45 psi (ASME A112.18.1M/A112.18.1)

VE-832C  
Tub & Shower Faucet  
Chrome Finish

VE-822C  
Less Spout  
Chrome Finish

VE-812C  
Less Shower  
Chrome Finish

#### **APPROVALS:**

**Meets or Exceeds The Following:**

\* ANSI/ASME A112.18.1M/A112.18.1



\* WaterSense Only On Models Containing Showerheads

**CALIFORNIA:**  
**TEXAS:**  
**NEW YORK:**

**TEL: 866-532-8306**  
**TEL: 800-935-5456**  
**TEL: 800-431-2082**

**FAX: 866-532-8307**  
**FAX: 800-683-4247**  
**FAX: 800-640-2252**

Visit Our Web Site : [www.matco-norca.com](http://www.matco-norca.com)

☐ **VE-832C**

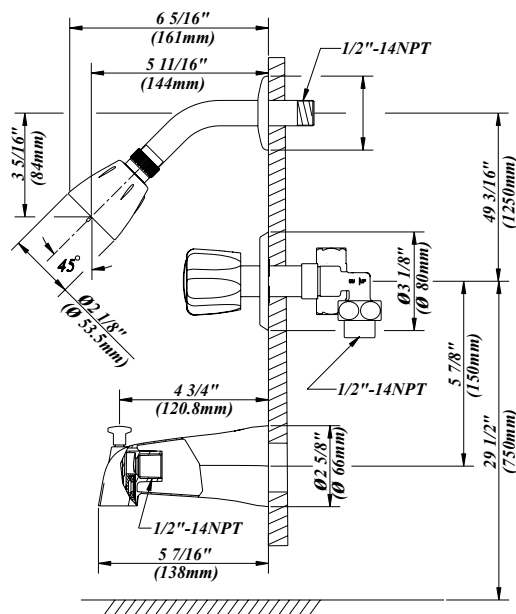
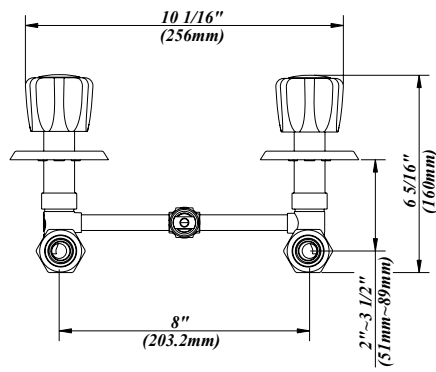
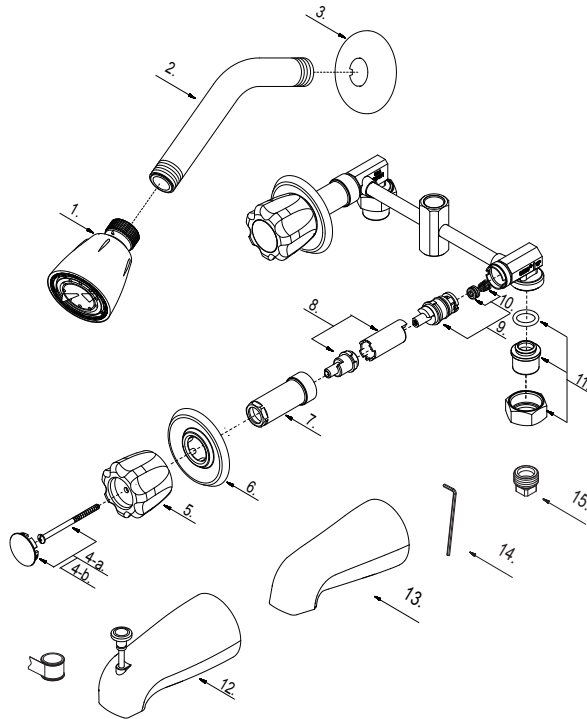
☐ **VE-822C**

☐ **VE-812C**



# Two Handle Tub & Shower Faucet

No.	Name	Part No.
1	Shower Head	S1213202
2	Shower Arm	A020002
3	Shower Arm Flange	A019001
4-a	Index Button-Cold	A66D694C
4-b	Index Button-Hot	A66D694H
5	Acrylic Handle	A029001
6	Escutcheon	A111001-S
7	Sleeve	A216106
8	Stem Extension-Hot	A517000H
9	Cartridge Assembly	A66D636N
10	Seat & Spring Set	A663002
11	Union Nut	A603668
12	Spout W/Diverter	A118011
13	Spout Less Diverter	A132025
14	Hex Wrench (H 3.18 * 20 mm L * 90 mm L)	A031017NI
15	Plug	A028004



# Product Spec Sheet

**CALIFORNIA:**  
**TEXAS:**  
**NEW YORK:**

**TEL: 866-532-8306**  
**TEL: 800-935-5456**  
**TEL: 800-431-2082**

**FAX: 866-532-8307**  
**FAX: 800-683-4247**  
**FAX: 800-640-2252**

Visit Our Web Site : [www.matco-norca.com](http://www.matco-norca.com)