

□ **VE-830C**   □ **VE-820C**



## Two Handle Tub & Shower Faucet

# Product Spec Sheet



### FEATURES & BENEFITS

- Matel Round Handles
- Washerless Cartridges
- Non Pressure Balanced
- Diverter Slip Fit Spout
- Max Flow Rate 1.75 gpm (6.6 L/min) at 80 psi
- Min Flow Rate 1.3 gpm (4.92 L/min) at 45 psi (ASME A112.18.1M/A112.18.1)

VE-830C  
Tub & Shower Faucet  
Chrome Finish

VE-820C  
Less Spout  
Chrome Finish

### APPROVALS:

Meets or Exceeds The Following:

\* ANSI/ASME A112.18.1M/A112.18.1



\* WaterSense Only On Models Containing Showerheads

**CALIFORNIA:**  
**TEXAS:**  
**NEW YORK:**  
**ILLINOIS:**

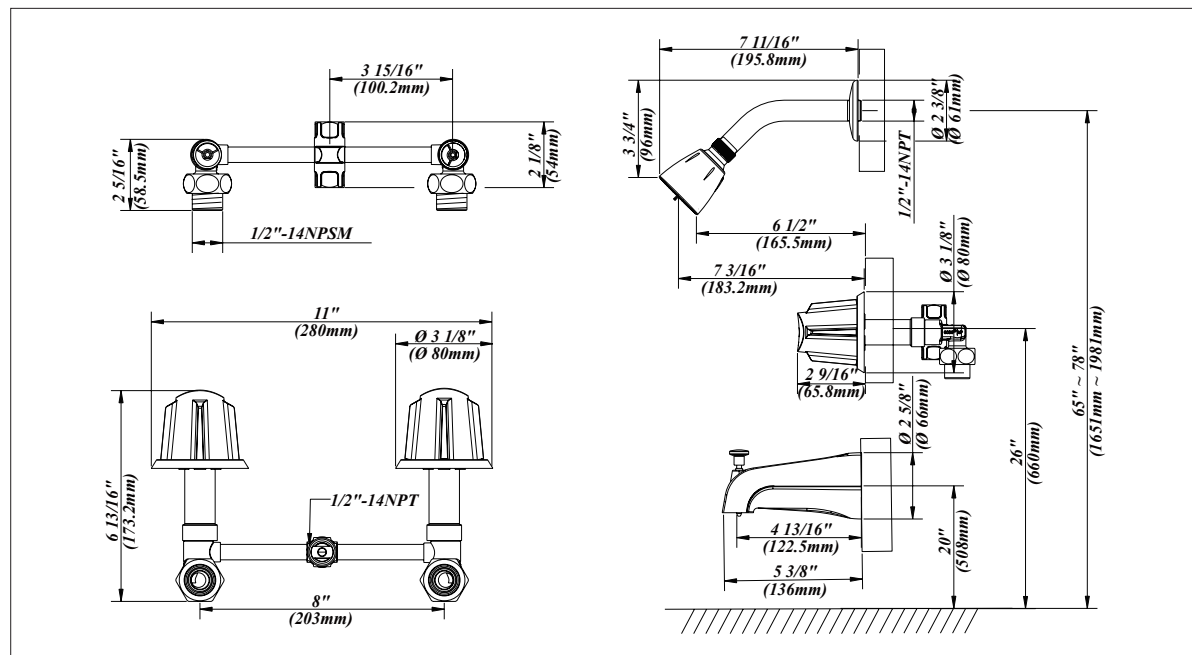
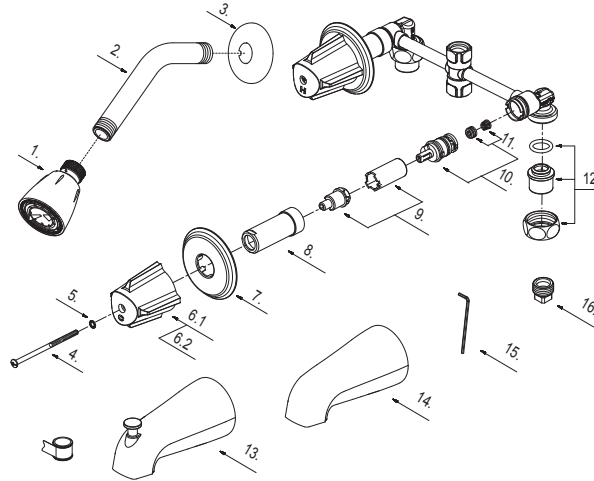
**TEL:** 866-532-8306  
**TEL:** 800-935-5456  
**TEL:** 800-431-2082  
**TEL:** 844-412-5068

**FAX:** 866-532-8307  
**FAX:** 800-683-4247  
**FAX:** 800-640-2252  
**FAX:** 800-640-2252

Visit Our Web Site : [www.matco-norca.com](http://www.matco-norca.com)

# Two Handle Tub & Shower Faucet

No.	Name	Part No.
1	Shower Head	S1213202
2	Shower Arm	A020002
3	Shower Arm Flange	A019001
4	Screw	A008019
5	Washer	A080010ZN
6.1	Metal Handle-Cold	A069128C
6.2	Metal Handle-Hot	A069128H
7	Escutcheon	A111001-S
8	Sleeve	A216106
9	Stem Extension-Hot	A517000H
10	Cartridge Assembly	A66D636N
11	Seat & Spring Set	A663002
12	Union Nut	A603668
13	Spout W/Diverter	A118011
14	Spout Less Diverter	A132025
15	Hex Wrench (H 3.18 * 20 mm L * 90 mm L)	A031017NI
16	Plug	A028004



**Product Spec Sheet**

**CALIFORNIA:**    **TEL: 866-532-8306**  
**TEXAS:**         **TEL: 800-935-5456**  
**NEW YORK:**    **TEL: 800-431-2082**  
**ILLINOIS:**     **TEL: 844-412-5068**

**FAX: 866-532-8307**  
**FAX: 800-683-4247**  
**FAX: 800-640-2252**  
**FAX: 800-640-2252**

Visit Our Web Site : [www.matco-norca.com](http://www.matco-norca.com)