

□ **VE-772C**

□ **VE-762C**



Single Handle Tub & Shower Faucet

Product Spec Sheet



FEATURES & BENEFITS

- Acrylic Round Handle
- Stainless Steel Ball Valve
- Non Pressure Balanced
- Diverter Spout
- Max Flow Rate 1.75 gpm (6.6 L/min) at 80 psi
- Min Flow Rate 1.3 gpm (4.92 L/min) at 45 psi (ASME A112.18.1M/A112.18.1)

VE-772C
Chrome Finish

VE-762C
Less Spout
Chrome Finish

APPROVALS:

Meets or Exceeds The Following:

* ANSI/ASME A112.18.1M/A112.18.1



* WaterSense Only On Models Containing Showerheads

CALIFORNIA:
TEXAS:
NEW YORK:

TEL: 866-532-8306
TEL: 800-935-5456
TEL: 800-431-2082

FAX: 866-532-8307
FAX: 800-683-4247
FAX: 800-640-2252

Visit Our Web Site : www.matco-norca.com

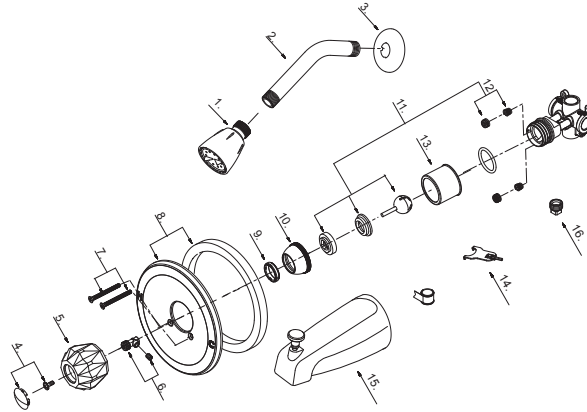
□ **VE-772C**

□ **VE-762C**

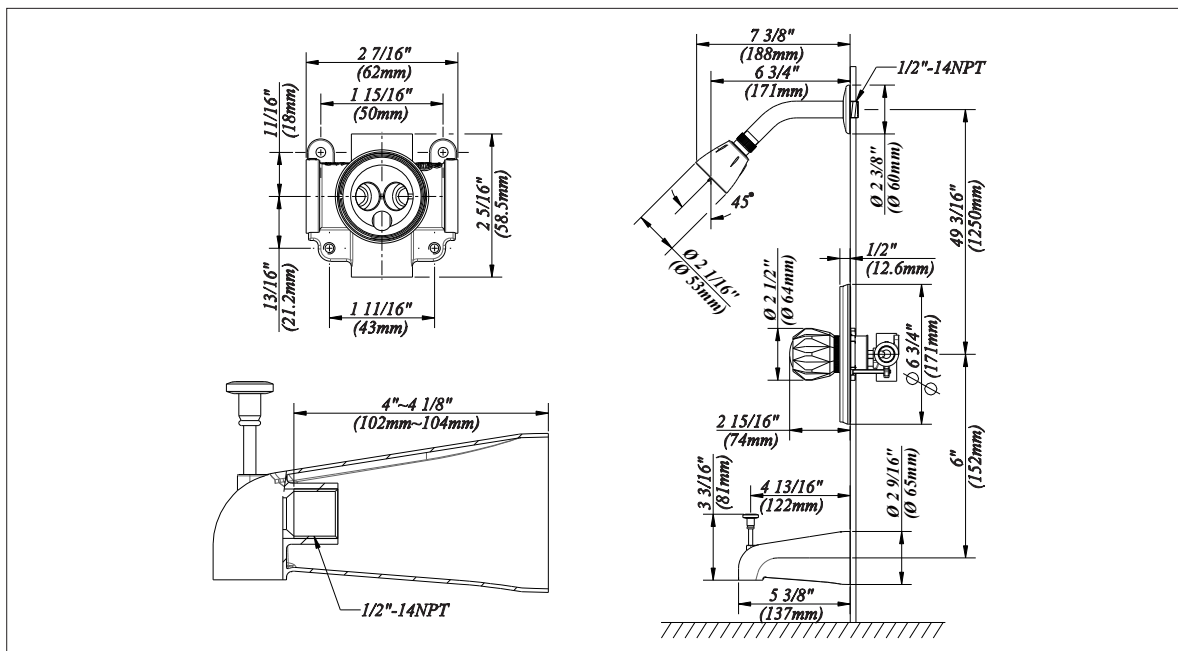


Single Handle Tub & Shower Faucet

No.	Name	Part No.
1	Shower Head	S1213202
2	Shower Arm	A020002
3	Shower Arm Flange	A019001
4	Index Button-Cold/Hot	A66D566
5	Acrylic Handle	A029000
6	Handle Adaptor	A663024
7	Screw Set (3/16" -24 * 2-15/16" L)	A668209
8	Escutcheon Assembly	A663637-S
9	Locking Nut	A104001
10	Trim Cap	A103000
11	Ball Valve Assembly	A66D641N
12	Seat & Spring Set	A663002
13	Sleeve	A217000
14	Wrench	A031001NI
15	Spout W/Diverter	A100012
16	Plug	A028004



Product Spec Sheet



CALIFORNIA:
TEXAS:
NEW YORK:

TEL: 866-532-8306
TEL: 800-935-5456
TEL: 800-431-2082

FAX: 866-532-8307
FAX: 800-683-4247
FAX: 800-640-2252

Visit Our Web Site : www.matco-norca.com