

# VE-740C Utility Shower Faucet • Spec Sheet

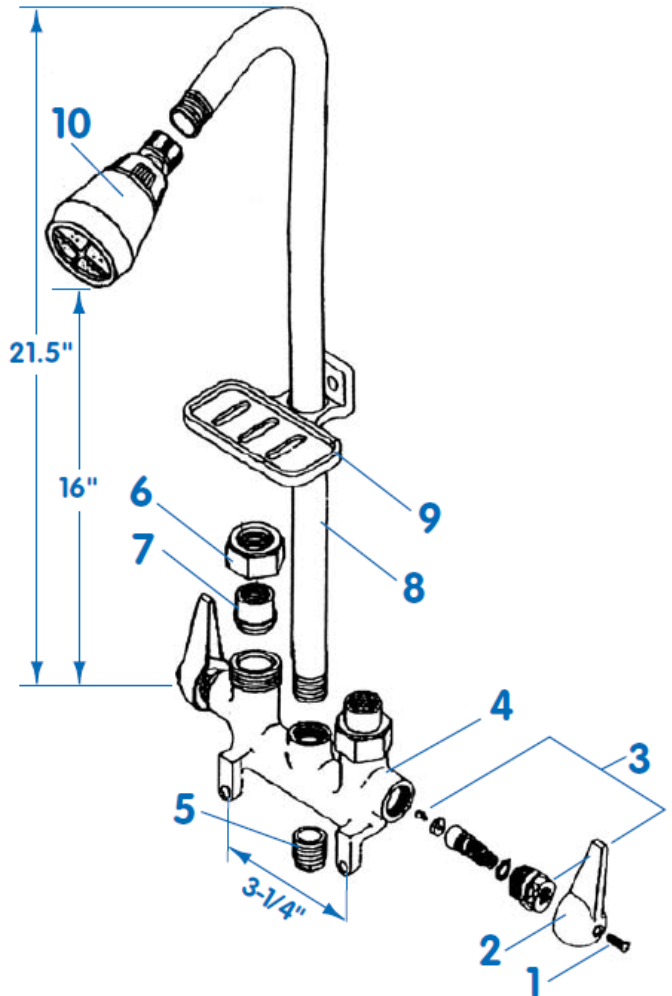


## FEATURES & BENEFITS

- Includes: Soap Dish  
Shower Head  
2 Metal Cross Handles  
18" Rise Shower Arm
- 3" Center

## MATERIAL SPECIFICATIONS

No.	Part	Material
1	Screw	Brass
2	Handle	Zinc
3	Stopper Seat	C.P. Brass
4	Body	C.P. Brass
5	Plug	C.P. Brass
6	Nut	C.P. Brass
7	Union	C.P. Brass
8	Pipe	C.P. Brass
9	Soap Dish	Aluminum
10	Shower Head	Plastic



**MATCO-NORCA**

Global sourcing. National compliance. Local service.

**CALIFORNIA** 5595 Fresca Dr., La Palma CA 90623  
**TEXAS** 1150 Silber Rd., Houston TX 77055  
**ILLINOIS** 278 Windy Point Dr., Glendale Heights, IL 60139  
**NEW YORK** PO Box 27, Rt.22, Brewster NY 10509  
 WEB: [www.matco-norca.com](http://www.matco-norca.com)

• Phone: 866-532-8306 • Fax: 866-532-8307  
 • Phone: 800-935-5456 • Fax: 713-680-2999  
 • Phone: 844-412-5068 • Fax: 800-640-2252  
 • Phone: 800-431-2082 • Fax: 845-278-9056  
 EMAIL: [mail@matco-norca.com](mailto:mail@matco-norca.com)