

# VE-400CG Lavatory Faucet • Spec Sheet

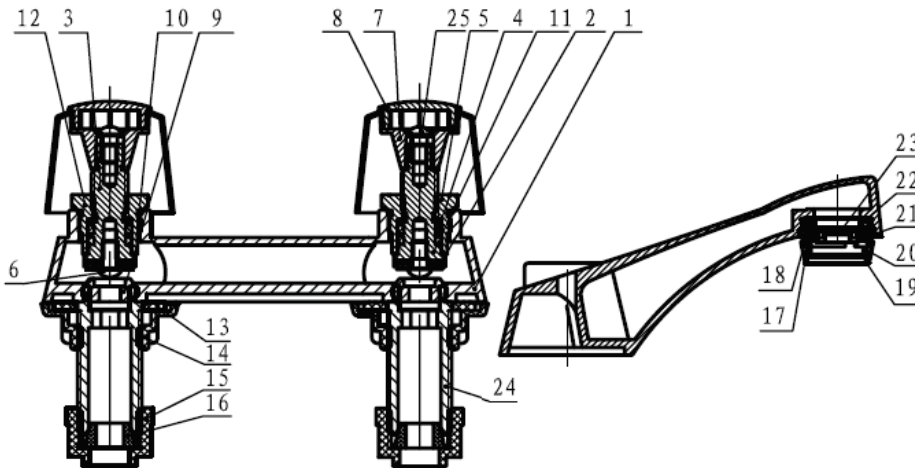


## FEATURES & BENEFITS

- 4" Two Handle
- Gerber Style Metal Lever Handles
- Compression Valve
- All Metal Pop Up
- Chrome
- UPC & ADA Approved

## MATERIAL SPECIFICATIONS

No.	Part	Material
1	Bonnet	Lead Free Brass
2	Gasket	EPDM
3	Stem	Lead Free Brass
4	O-Ring	EPDM
5	Nut	Lead Free Brass
6	Crossed Screw	Lead Free Brass
7	Handwheel	Zinc
8	Covers	ABS
9	Check Core	Lead Free Brass
10	O-Ring	EPDM
11	Stem	Lead Free Brass
12	Nut	Lead Free Brass
13	Gasket	EPDM
14	Nut	ABS
15	Bonnet	ABS
16	Rubber Cone	EPDM
17	Cap	Lead Free Brass
18	Gasket	EPDM
19	Wire Mesh	S.S
20	Steel Bridge	ABS
21	Gasket	ABS
22	Cover	ABS
23	Plastic Sheet	ABS
24	Water Inlet	Lead Free Brass
25	Crossed Screw	Brass



\* These product complies with 0.25% weighted average lead content on wetted surfaces in accordance with Safe Water Drinking Act (SDWA) / Federal Public Law No.111-380.

Global sourcing. National compliance. Local service.

**CALIFORNIA** 5593 Fresca Dr., La Palma CA 90623 • Toll Free: 866-532-8306 • Fax: 866-532-8307  
**TEXAS** 1150 Silber Rd., Houston TX 77055 • Toll Free: 800-935-5456 • Fax: 713-680-2999  
**NEW YORK** PO Box 27, Rt. 22, Brewster NY 10509 • Toll Free: 800-431-2082 • Fax: 845-278-9056  
 WEB: [www.matco-norca.com](http://www.matco-norca.com) EMAIL: [mail@matco-norca.com](mailto:mail@matco-norca.com)