

VE-200CG Kitchen Faucet • Spec Sheet

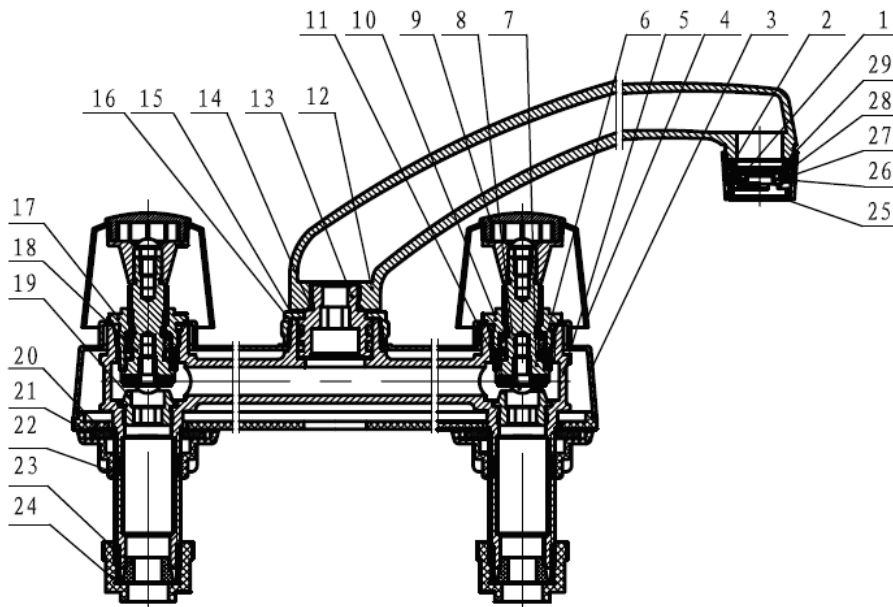


FEATURES & BENEFITS

- 8" Two Handle
- Gerber Style Metal Handles
- Compression Valve
- Heavy Pattern
- 3 Hole
- Chrome
- UPC Approved

MATERIAL SPECIFICATIONS

No.	Part	Material
1	Cap	Lead Free Brass
2	Gasket	EPDM
3	Panel	Zinc
4	Handwheel	Zinc
5	Body	Lead Free Brass
6	O-Ring	EPDM
7	Stem	Lead Free Brass
8	Crossed Screw	Lead Free Brass
9	Cover	ABS
10	Nut	Lead Free Brass
11	Gasket	EPDM
12	Outlet	Lead Free Brass
13	Swinging Core	Lead Free Brass
14	O-Ring	EPDM
15	O-Ring	EPDM
16	Nut	Brass
17	Stem	Lead Free Brass
18	Nut	Lead Free Brass
19	Check Core	Lead Free Brass
20	Panel	ABS
21	Gasket	EPDM
22	Nut	ABS
23	Rubber Cone	EPDM
24	Bonnet	ABS
25	Wire Mesh	S.S.
26	Steel Bridge	ABS
27	Gasket	ABS
28	Cover	ABS
29	Plastic Sheet	ABS



* These product complies with 0.25% weighted average lead content on wetted surfaces in accordance with Safe Water Drinking Act (SDWA) / Federal Public Law No.111-380.

Global sourcing. National compliance. Local service.

CALIFORNIA 5593 Fresca Dr., La Palma CA 90623 • Toll Free: 866-532-8306 • Fax: 866-532-8307
TEXAS 1150 Silber Rd., Houston TX 77055 • Toll Free: 800-935-5456 • Fax: 713-680-2999
NEW YORK PO Box 27, Rt. 22, Brewster NY 10509 • Toll Free: 800-431-2082 • Fax: 845-278-9056
 WEB: www.matco-norca.com EMAIL: mail@matco-norca.com