

VDWB LF Vinyl Dishwasher Connector • Spec Sheet



*Product will have LF imprinted on the body for Lead Free

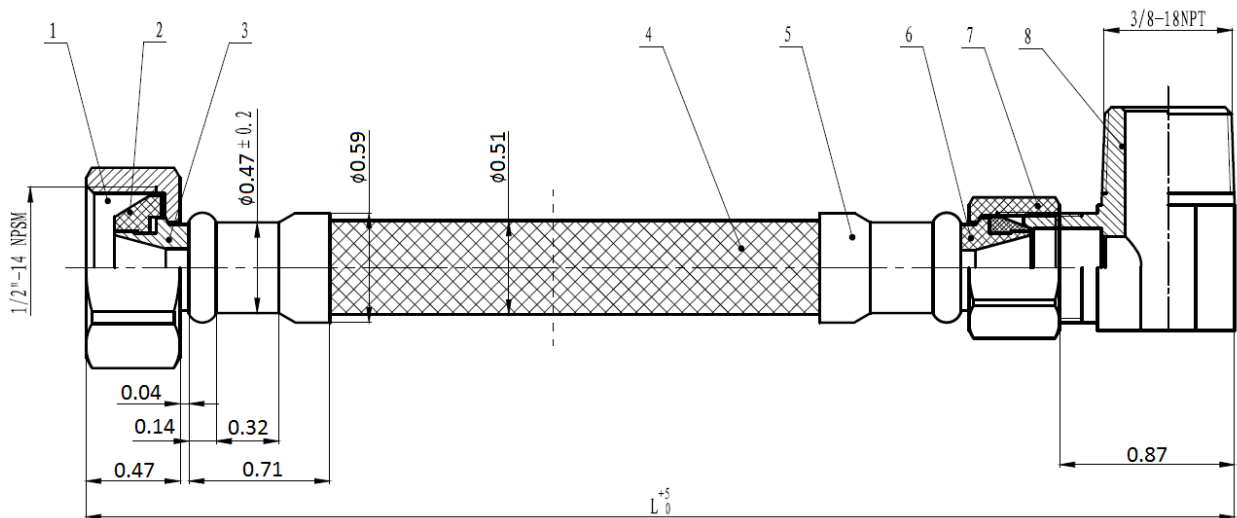
FEATURES & BENEFITS

- Lead Free*
- 3/8" OD x 1/2"
- With Brass Nut
- cUPC Certified
- NSF Approved

VDWB-60LF - 60" Long, With 3/8" Elbow

MATERIAL SPECIFICATIONS

No.	Part	Material
1	Nut	Brass HPb59-3
2	Washer	EPDM
3	Core	Brass C46500
4	Hose	PVC
5	Ferrule	SS 304
6	Washer	EPDM
7	Nut	Brass HPb59-3
8	Core	Brass C46500



*This product complies with 0.25% weighted average lead content on wetted surfaces in accordance with the Safe Drinking Water Act (SDWA) / Federal Public Law No. 111-380.



Global sourcing. National compliance. Local service.

CALIFORNIA 5595 Fresca Dr., La Palma CA 90623
TEXAS 1150 Silber Rd., Houston TX 77055
ILLINOIS 278 Windy Point Dr., Glendale Heights, IL 60139
GEORGIA 113 Industrial Blvd., Americus, Georgia 31709
NEW YORK PO Box 27, Rt.22, Brewster NY 10509
 WEB: www.matco-norca.com

• Phone: 866-532-8306 • Fax: 866-532-8307
 • Phone: 800-935-5456 • Fax: 713-680-2999
 • Phone: 844-412-5068 • Fax: 800-640-2252
 • Phone: 800-433-7526 • Fax: 800-533-5134
 • Phone: 800-431-2082 • Fax: 845-278-9056
 EMAIL: mail@matco-norca.com

VDWB LF Vinyl Dishwasher Connector • Spec Sheet



*Product will have LF imprinted on the body for Lead Free

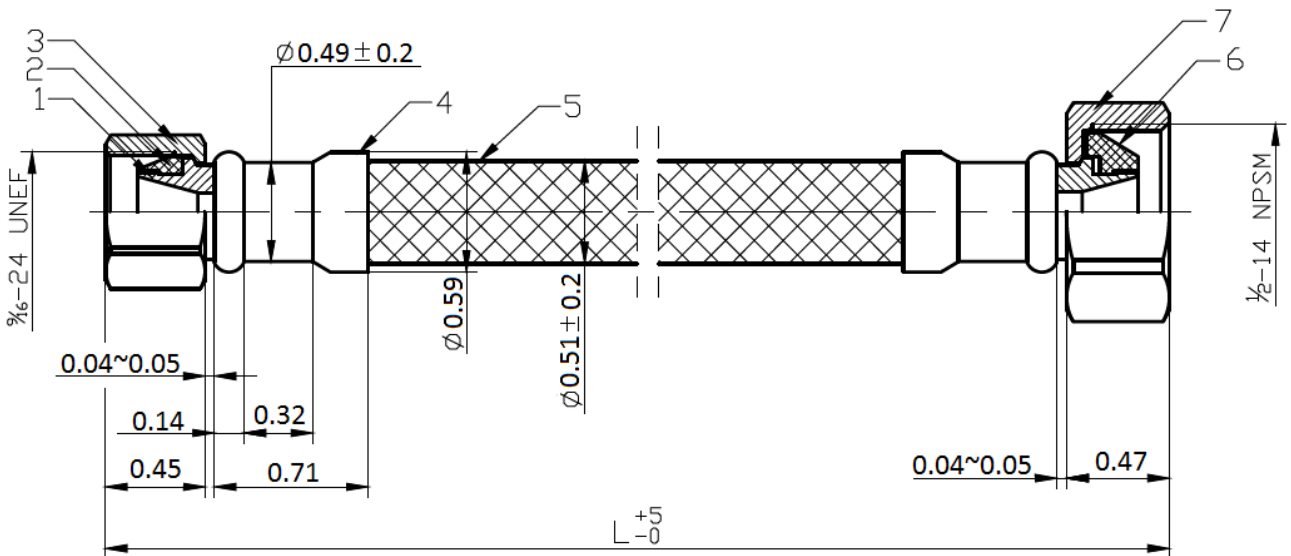
FEATURES & BENEFITS

- Lead Free*
- 3/8" OD x 1/2"
- With Brass Nut
- cUPC Certified
- NSF Approved

VDWB-60LELF - 60" Long, Less Elbow

MATERIAL SPECIFICATIONS

No.	Part	Material
1	Nut	Brass HPb59-3
2	Washer	EPDM
3	Core	Brass C46500
4	Hose	PVC
5	Ferrule	SS 304
6	Washer	EPDM
7	Nut	Brass HPb59-3



*This product complies with 0.25% weighted average lead content on wetted surfaces in accordance with the Safe Drinking Water Act (SDWA) / Federal Public Law No. 111-380.



Global sourcing. National compliance. Local service.

CALIFORNIA 5595 Fresca Dr., La Palma CA 90623
TEXAS 1150 Silber Rd., Houston TX 77055
ILLINOIS 278 Windy Point Dr., Glendale Heights, IL 60139
GEORGIA 113 Industrial Blvd., Americus, Georgia 31709
NEW YORK PO Box 27, Rt.22, Brewster NY 10509
 WEB: www.matco-norca.com

• Phone: 866-532-8306 • Fax: 866-532-8307
 • Phone: 800-935-5456 • Fax: 713-680-2999
 • Phone: 844-412-5068 • Fax: 800-640-2252
 • Phone: 800-433-7526 • Fax: 800-533-5134
 • Phone: 800-431-2082 • Fax: 845-278-9056
 EMAIL: mail@matco-norca.com