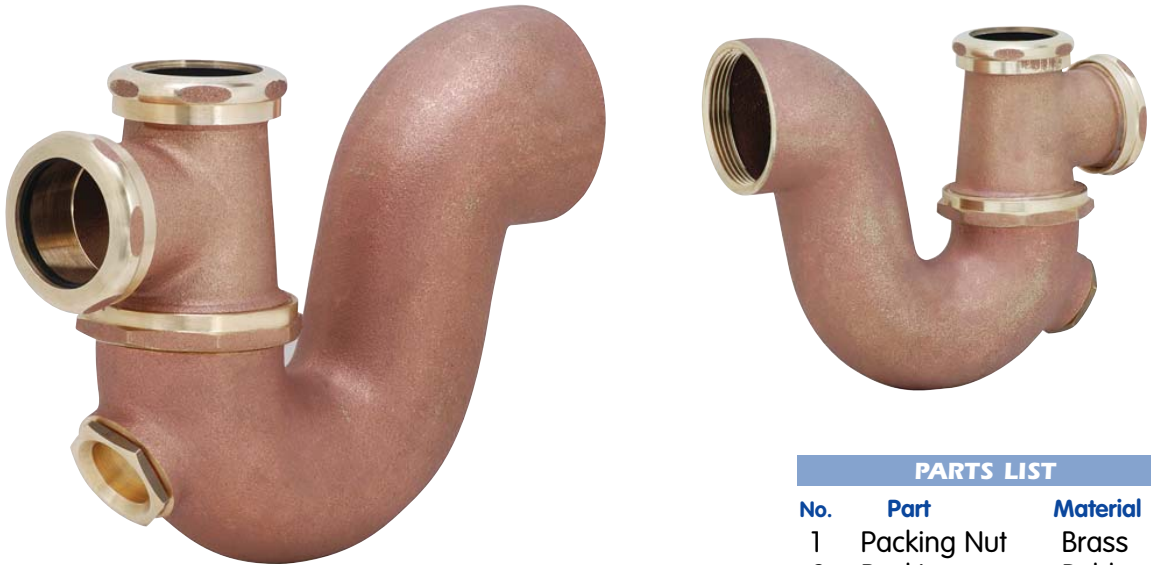


# CAST BRASS TRAP-J

**MATCO  
NORCA**

- ❖ Cast Brass Swing Tee Trap
- ❖ IPS Connection   ❖ With Cleanout
- ❖ Rough Brass Finish

ISO 9001:2000

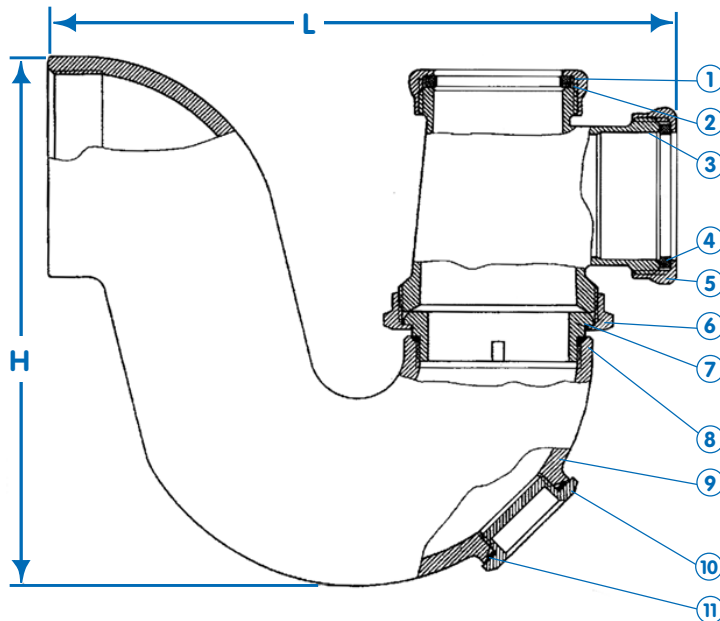


## PARTS LIST

No.	Part	Material
1	Packing Nut	Brass
2	Packing	Rubber
3	Body 2	Brass
4	Packing	Rubber
5	Packing Nut	Brass
6	Nipple Nut	Brass
7	Nipple	Brass
8	O Ring	Rubber
9	Body 1	Brass
10	Packing	Fibre
11	Bonnet	Brass

## DIMENSIONS

SIZE	H	L
2" FIP x 1-1/2"	6.19	7.29



**Product Spec Sheet**

**MATCO  
NORCA**

**Brewster, NY**  
TEL: 800-431-2082  
FAX: 800-640-2252

**Houston, TX**  
TEL: 800-935-5456  
FAX: 800-683-4247

**La Palma, CA**  
TEL: 866-532-8306  
FAX: 866-532-8307

**Americus, GA**  
TEL: 800-433-7526  
FAX: 800-533-5134

e-mail: [mail@matco-norca.com](mailto:mail@matco-norca.com)

[www.matco-norca.com](http://www.matco-norca.com)