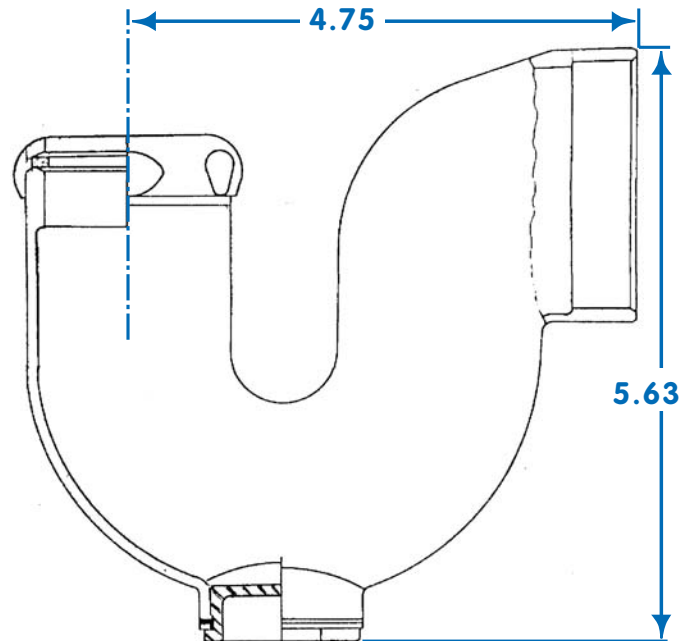


# CAST BRASS TRAP-1



- ❖ Cast Brass NY Trap
- ❖ Sweat Connection   ❖ With Cleanout
- ❖ Rough Brass Finish

ISO 9001:2000



Product Spec Sheet



**Brewster, NY**  
TEL: 800-431-2082  
FAX: 800-640-2252

**Houston, TX**  
TEL: 800-935-5456  
FAX: 800-683-4247

**La Palma, CA**  
TEL: 866-532-8306  
FAX: 866-532-8307

**Americus, GA**  
TEL: 800-433-7526  
FAX: 800-533-5134

e-mail: [mail@matco-norca.com](mailto:mail@matco-norca.com)

[www.matco-norca.com](http://www.matco-norca.com)