

CAST BRASS TRAP-Q



- ❖ Cast Brass LA Trap
- ❖ Sweat Connection
- ❖ Less Cleanout
- ❖ Rough Brass Finish

ISO 9001:2000

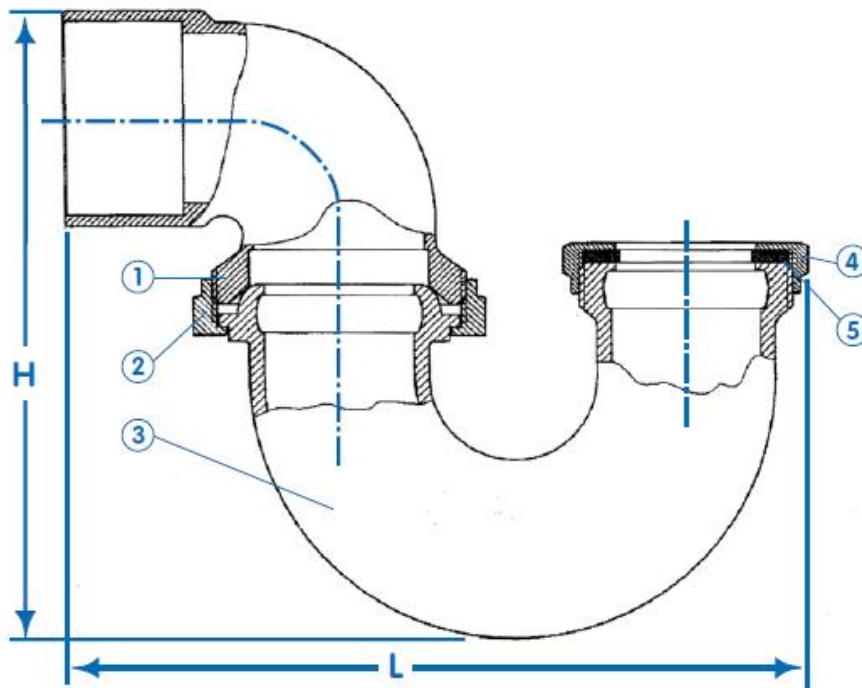


DIMENSIONS

SIZE	H	L
2" Sweat x 1-1/2"	6.90	8.08

PARTS LIST

NO.	Part	Material
1	Body 2	Brass
2	Nipple Nut	Brass
3	Body 1	Brass
4	Packing	Rubber
5	Packing Nut	Brass



Product Spec Sheet



Brewster, NY
TEL: 800-431-2082
FAX: 800-640-2252

Houston, TX
TEL: 800-935-5456
FAX: 800-683-4247

La Palma, CA
TEL: 866-532-8306
FAX: 866-532-8307

Americus, GA
TEL: 800-433-7526
FAX: 800-533-5134

e-mail: mail@matco-norca.com

www.matco-norca.com