

# Trap N • Spec Sheet



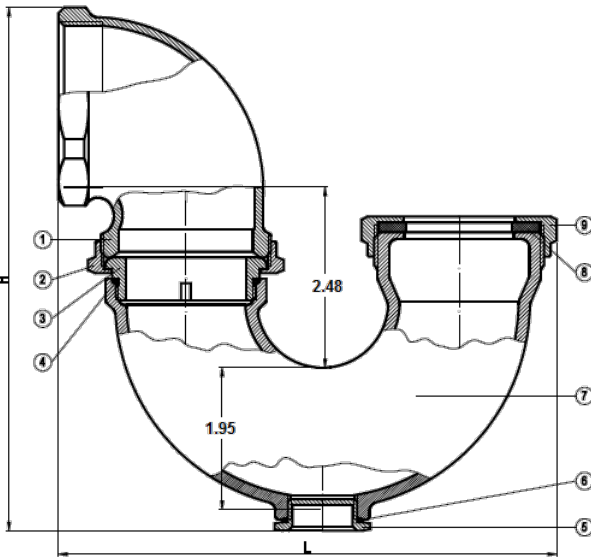
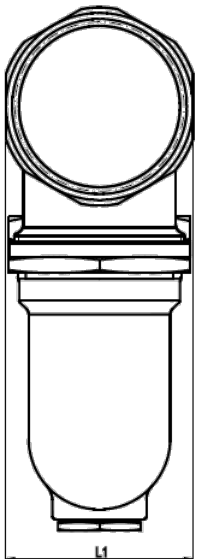
## FEATURES & BENEFITS

- Cast Brass LA Trap
- IPS Connection
- With Cleanout
- Rough Brass Finish
- ISO 9001:2000

Trap-N-CP – same as above - Chrome Plated

## DIMENSIONS

Part #	Size	H	L	L1
Trap-N	2" FIP X 1-1/2"	7.13	6.62	2.57



## MATERIAL SPECIFICATIONS

No.	Part	Material
1	Body 2	Brass B584 C85700
2	Nipple Nut	Brass B584 C85700
3	Nipple	Brass B584 C85700
4	O Ring	SN-719F
5	Bonnet	Brass B124 C37700
6	Packing	POM Formocon FM090
7	Body 1	Brass B584 C85700
8	Packing	Rubber
9	Packing Nut	Brass B584 C85700



**CALIFORNIA** 5595 Fresca Dr., La Palma CA 90623  
**TEXAS** 1150 Silber Rd., Houston TX 77055  
**ILLINOIS** 278 Windy Point Dr., Glendale Heights, IL 60139  
**GEORGIA** 113 Industrial Blvd., Americus, Georgia 31709  
**NEW YORK** PO Box 27, Rt.22, Brewster NY 10509  
 WEB: [www.matco-norca.com](http://www.matco-norca.com)

• Phone: 866-532-8306 • Fax: 866-532-8307  
 • Phone: 800-935-5456 • Fax: 713-680-2999  
 • Phone: 844-412-5068 • Fax: 800-640-2252  
 • Phone: 800-433-7526 • Fax: 800-533-5134  
 • Phone: 800-431-2082 • Fax: 845-278-9056  
 EMAIL: [mail@matco-norca.com](mailto:mail@matco-norca.com)