

# Trap H & M • Spec Sheet



Trap-H  
Rough Brass

Trap-M  
Chrome Plated

## FEATURES & BENEFITS

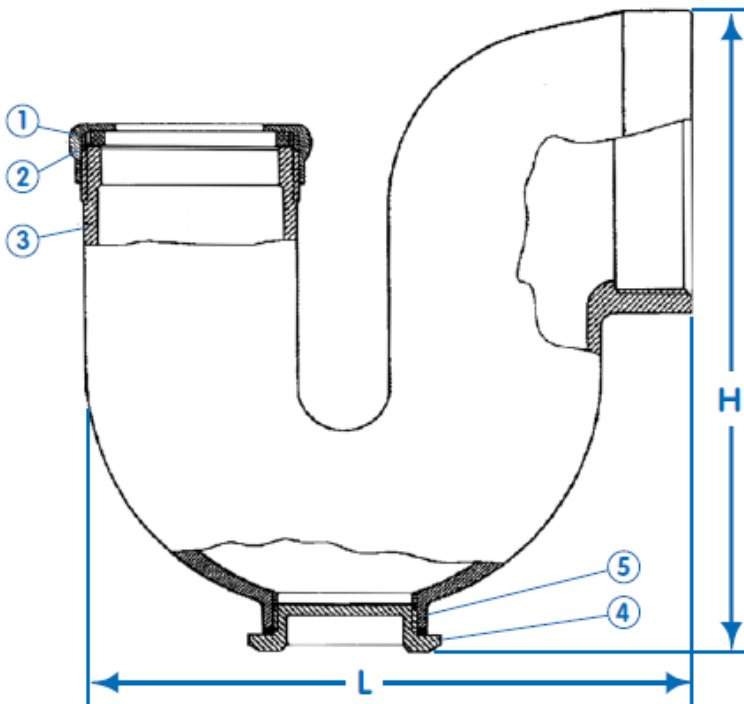
- Cast Brass NY Trap
- IPS Connection
- With Cleanout
- Rough Brass or Chrome Plated Finish
- ISO 9001:2000

## DIMENSIONS

Part #	Size	H	L
Trap-H Trap-M	2" FIP X 1-1/2"	5.48	5.63

## MATERIAL SPECIFICATIONS

No.	Part	Material
1	Packing Nut	Brass
2	Packing	Rubber
3	Body	Brass
4	Bonnet	Brass
5	Packing	PTFE



**MATCO-NORCA**

Global sourcing. National compliance. Local service.