

Trap D • Spec Sheet

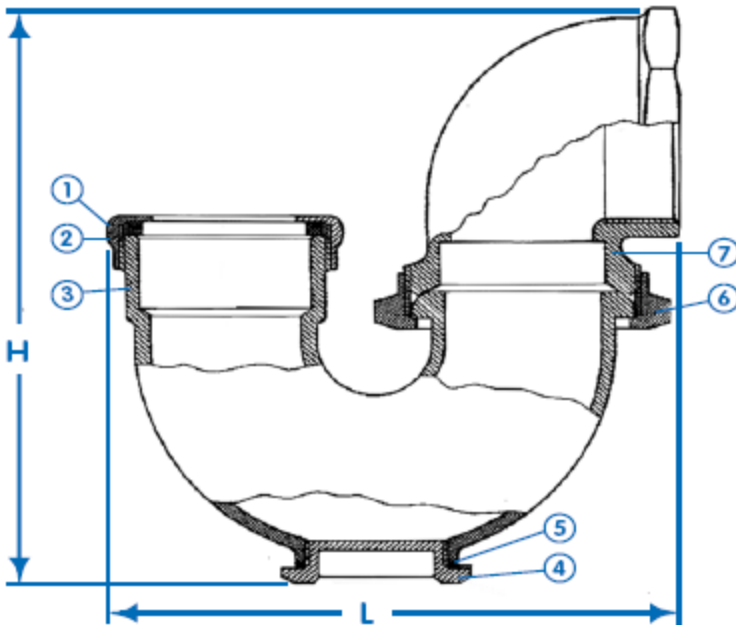


FEATURES & BENEFITS

- Cast Brass LA Trap
- IPS Connection
- With Cleanout
- Rough Brass Finish
- Also Available - Chrome Plated Finish
- ISO 9001:2000

DIMENSIONS

Part #	Size	H	L
Trap-D	1-1/2" FIP X 1-1/4"	5.52	4.98



MATERIAL SPECIFICATIONS

No.	Part	Material
1	Packing Nut	Brass
2	Packing	Rubber
3	Body	Brass
4	Bonnet	Brass
5	Packing	PTFE
6	Nipple Nut	Brass
7	Body	Brass

MATCO-NORCA
 Global sourcing. National compliance. Local service.

CALIFORNIA 5593 Fresca Dr., La Palma CA 90623 • Toll Free: 866-532-8306 • Fax: 866-532-8307
TEXAS 1150 Silber Rd., Houston TX 77055 • Toll Free: 800-935-5456 • Fax: 713-680-2999
NEW YORK PO Box 27, Rt. 22, Brewster NY 10509 • Toll Free: 800-431-2082 • Fax: 845-278-9056
 WEB: www.matco-norca.com EMAIL: mail@matco-norca.com