

# Trap B & E • Spec Sheet



Trap-B  
Chrome Plated



Trap-E  
Rough Brass

## FEATURES & BENEFITS

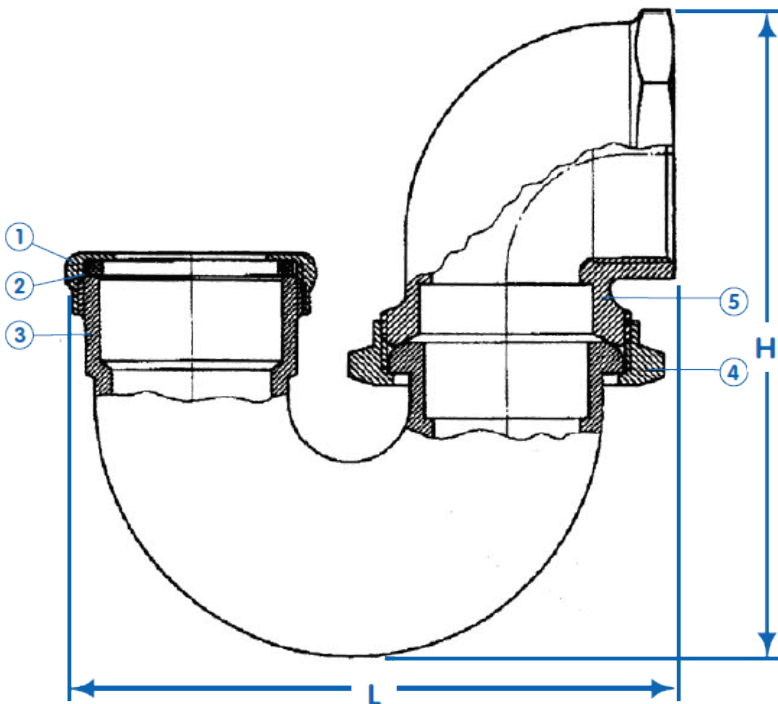
- Cast Brass LA Trap
- IPS Connection
- Less Cleanout
- Rough Brass or Chrome Plated Finish
- ISO 9001:2000

## DIMENSIONS

Part #	Size	H	L
Trap-B	1-1/2" FIP X 1-1/4"	5.36	5.08
Trap-E	1-1/2" FIP X 1-1/2"	5.36	5.08

## MATERIAL SPECIFICATIONS

No.	Part	Material
1	Packing Nut	Brass
2	Packing	Rubber
3	Body	Brass
4	Nipple Nut	Brass
5	Body	Brass



**MATCO-NORCA**  
Global sourcing. National compliance. Local service.

**CALIFORNIA** 5593 Fresca Dr., La Palma CA 90623 • Toll Free: 866-532-8306 • Fax: 866-532-8307  
**TEXAS** 1150 Silber Rd., Houston TX 77055 • Toll Free: 800-935-5456 • Fax: 713-680-2999  
**NEW YORK** PO Box 27, Rt. 22, Brewster NY 10509 • Toll Free: 800-431-2082 • Fax: 845-278-9056  
 WEB: [www.matco-norca.com](http://www.matco-norca.com) EMAIL: [mail@matco-norca.com](mailto:mail@matco-norca.com)