

TWHK04PXCE Tankless Water Heater Isolation Valve Kit – PEX F1960

Specification Sheet

FEATURES & BENEFITS

- Lead Free Brass Material
- 600# Rating (Non-Shock)
- Set of 2 Heavy Duty Forged Brass Body
- Stainless Steel Ball
- Pressure Rating: 125 PSI Maximum
- Temperature Range : 40° F to 180° F
- Double O-Ring Stem Seal
- Large Drain Port Outlets (Full Port)
- PEX End Conform to ASTM F1960
- NSF372, NSF61, cUPC & IAPMO Approved
- Size 3/4" FNPT x PEX F1960

Pressure Relief Valve:

- 150 PSI Rated @ 500,000 btu/hr
- Pressure Relief Valve is ASME Section IV, ANSI Z21.22 and CSA 4.4 Certified
- Size 3/4"

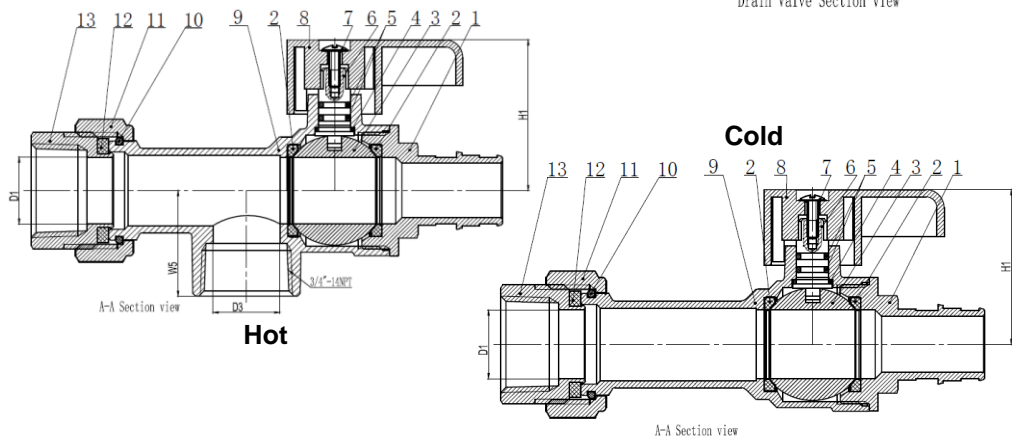
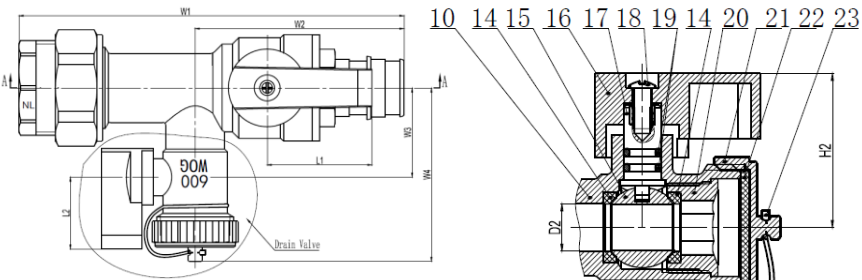


MATERIAL SPECIFICATIONS

No.	Part	Material
1	Cap	Lead Free Brass
2	Seat (Qty 2)	PTFE
3	Ball	Stainless Steel
4	Gasket	PTFE
5	O-Ring (Qty 2)	EPDM
6	Stem	Brass
7	Screw	Plated Steel
8	Handle	Alloy
9	Body	Lead Free Brass
10	Snap Spring	Stainless Steel
11	Cap Nut	Brass
12	Rubber Washer	EPDM
13	Cap	Lead Free Brass
14	Seat (Qty 2)	PTFE
15	Ball	Stainless Steel
16	Handle	Alloy
17	Stem	Brass
18	Screw	Plated Steel
19	O-Ring (Qty 2)	EPDM
20	Cap	Lead Free Brass
21	Cap Nut	Brass
22	Rubber Washer	EPDM
23	Chain	PVC

DIMENSIONS

Size	3/4"
ØD1	0.75
ØD2	0.39
H1	1.69
H2	1.28
W1	5.28
W2	2.87
W3	1.22
W4	2.36
W5	1.18
L1	1.44
L2	0.99



PRESSURE RELIEF VALVE

Part	Material
Body	Bronze
Internal Parts	Brass & Stainless Steel
Seat Disc	Silicone
Pressure Spring	Stainless Steel

DIMENSIONS

Size	A	B	C
3/4"	1-5/32"	1-9/16"	1-25/32"

