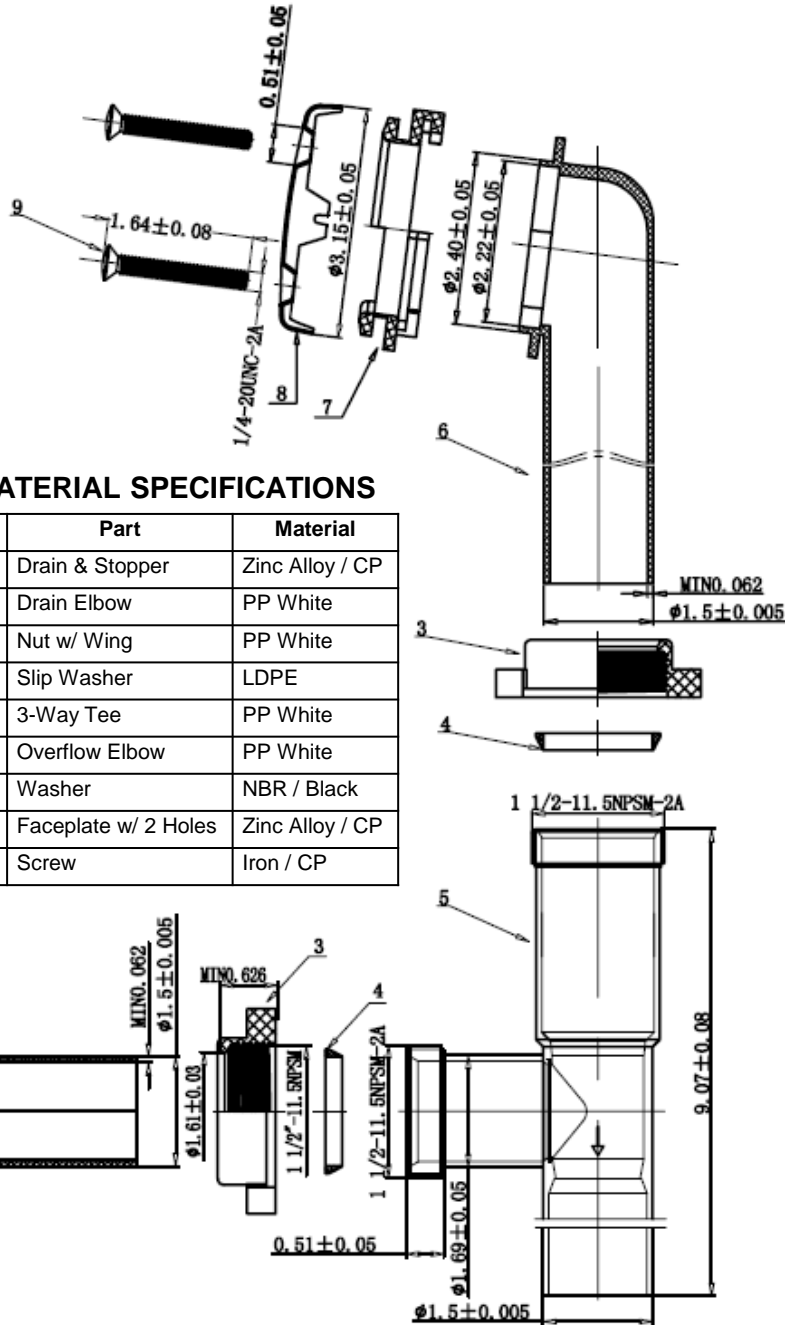


# TWB-250 Bath Waste • Spec Sheet



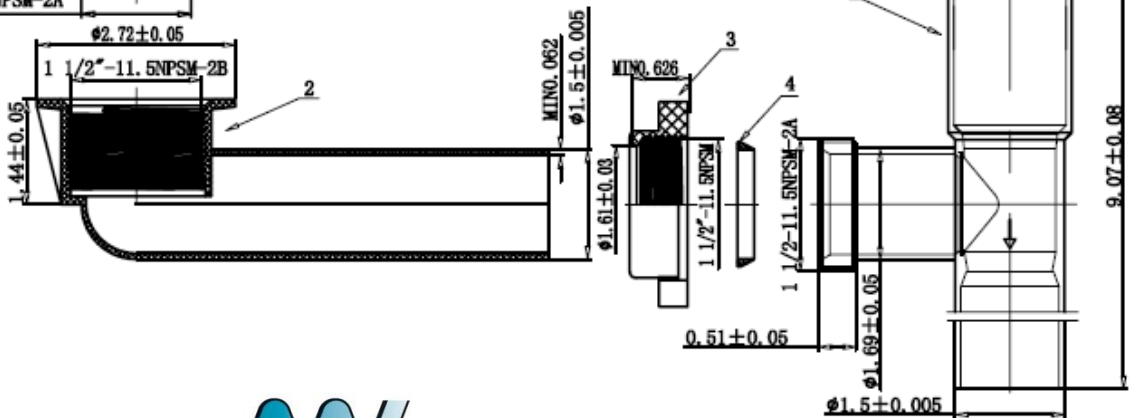
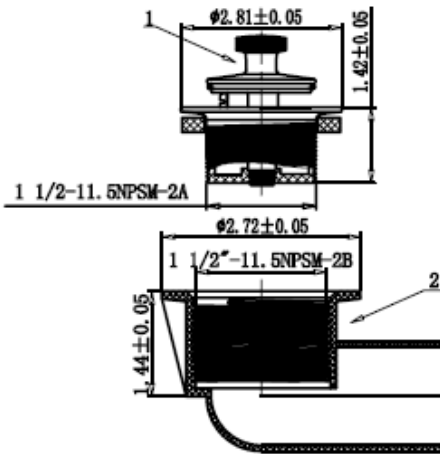
## FEATURES & BENEFITS

- White Polypropylene
- Lift & Turn



## MATERIAL SPECIFICATIONS

No.	Part	Material
1	Drain & Stopper	Zinc Alloy / CP
2	Drain Elbow	PP White
3	Nut w/ Wing	PP White
4	Slip Washer	LDPE
5	3-Way Tee	PP White
6	Overflow Elbow	PP White
7	Washer	NBR / Black
8	Faceplate w/ 2 Holes	Zinc Alloy / CP
9	Screw	Iron / CP



Global sourcing. National compliance. Local service.