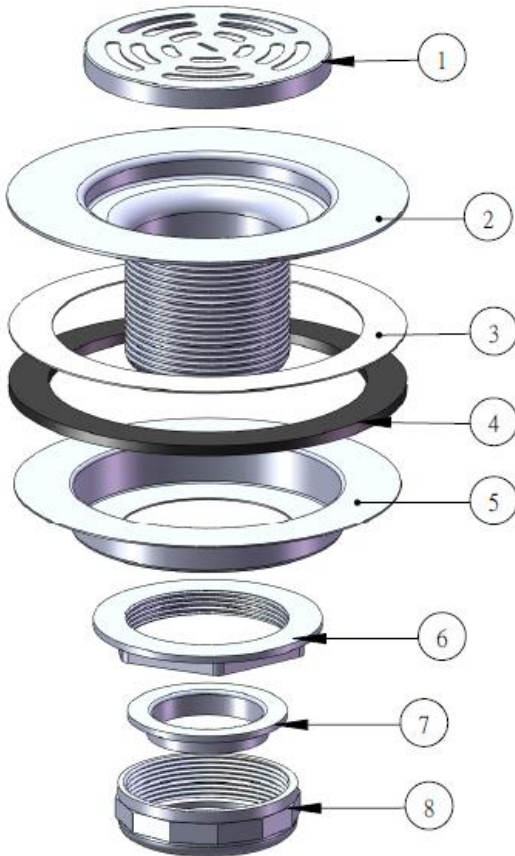


# SS-400 Sink Strainer • Spec Sheet



## FEATURES & BENEFITS

- Stainless Steel Sink Strainer
- Fits 3-1/2" to 4" Openings
- 4-1/2" Flat Top
- Galvanized Locking Shell



## MATERIAL SPECIFICATIONS

No.	Part	Material
1	Cover	SS430#
2	Body	SS430#
3	Washer	Paper
4	Washer	Rubber
5	Cup	Galvanized
6	Lock Nut	Zinc
7	Washer	PE
8	Slip Nut	Zinc – Yellow Chromate Dip

