

SS-300 Sink Strainer • Spec Sheet

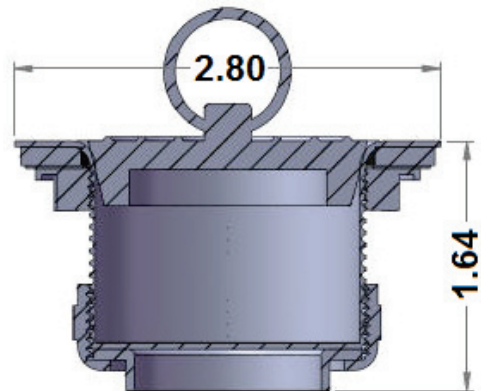
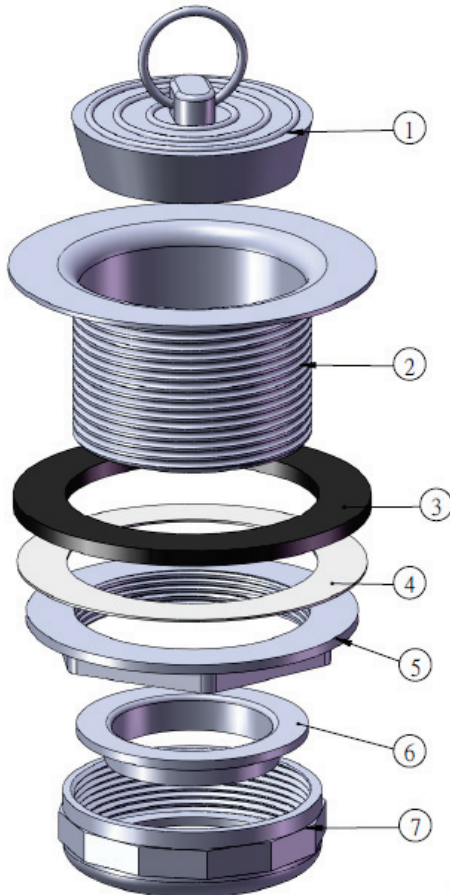


FEATURES & BENEFITS

- Stainless Steel Sink Strainers
- Fits 1-7/8" to 2-1/2" Openings
- Wash Tray Design
- With Rubber Stopper

MATERIAL SPECIFICATIONS

No.	Part	Material
1	Washer	Rubber
3	Body	SS430#
4	Washer	Rubber
4	Washer	Paper
5	Lock Nut	Zinc
6	Washer	PE
7	Slip Nut	Zinc – Yellow Chromate Dip



MATCO-NORCA
 Global sourcing. National compliance. Local service.

CALIFORNIA 5593 Fresca Dr., La Palma CA 90623 • Toll Free: 866-532-8306 • Fax: 866-532-8307
TEXAS 1150 Silber Rd., Houston TX 77055 • Toll Free: 800-935-5456 • Fax: 713-680-2999
NEW YORK PO Box 27, Rt. 22, Brewster NY 10509 • Toll Free: 800-431-2082 • Fax: 845-278-9056
 WEB: www.matco-norca.com EMAIL: mail@matco-norca.com