

SS-185B Sink Strainer • Spec Sheet

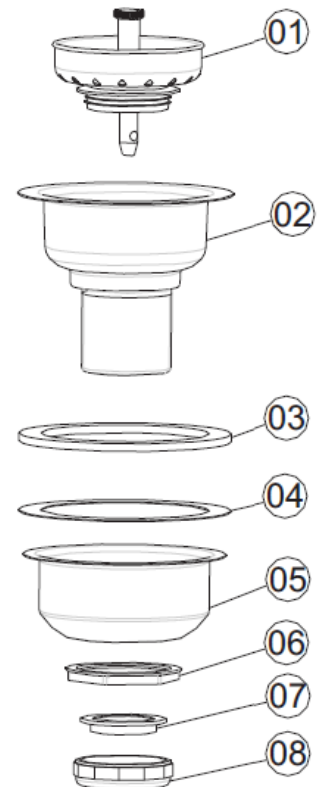
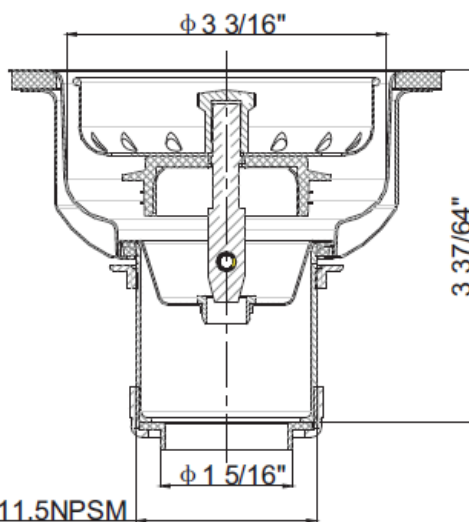
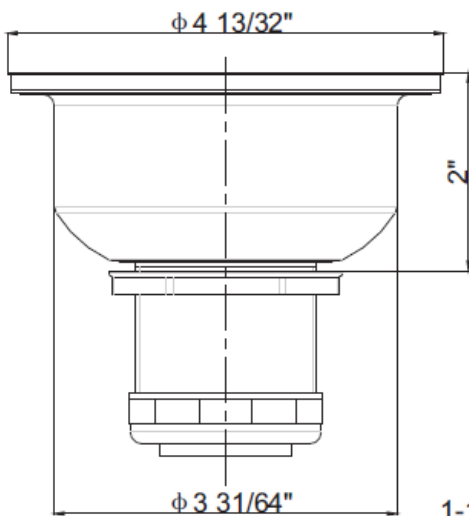


FEATURES & BENEFITS

- Stainless Steel Sink Strainer
- Fits 3-1/2" to 4" Openings
- cUPC Approved
- Deep Double Cup
- Long Shank
- Snap Lock Basket
- With Ribbed Rubber Washer
- Brass Slipnut

MATERIAL SPECIFICATIONS

No.	Part	Material
1	Basket	Brass + S.S + NBR
2	Body	SS 304
3	Washer	NBR
4	Washer	Paper
5	Cup	Steel
6	Lock Nut	Zinc
7	Tailpiece	PE
8	Cooling Nut	Brass



CALIFORNIA 5595 Fresca Dr., La Palma CA 90623
TEXAS 1150 Silber Rd., Houston TX 77055
ILLINOIS 278 Windy Point Dr., Glendale Heights, IL 60139
GEORGIA 113 Industrial Blvd., Americus, Georgia 31709
NEW YORK PO Box 27, Rt.22, Brewster NY 10509
 WEB: www.matco-norca.com

• Phone: 866-532-8306 • Fax: 866-532-8307
 • Phone: 800-935-5456 • Fax: 713-680-2999
 • Phone: 844-412-5068 • Fax: 800-640-2252
 • Phone: 800-433-7526 • Fax: 800-533-5134
 • Phone: 800-431-2082 • Fax: 845-278-9056
 EMAIL: mail@matco-norca.com