

SS-175 Sink Strainer • Spec Sheet

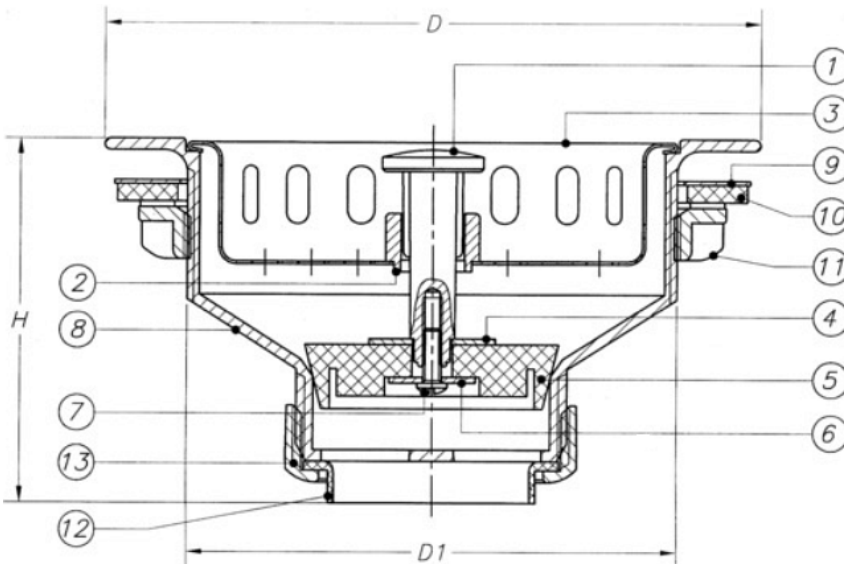


FEATURES & BENEFITS

- Cast Brass - Chrome Plated
- Locknut & Chrome Brass Slipnut
- Neoprene Stopper

DIMENSIONS

Part #	D	D1	H
SS-175	4.49	3.35	2.49



MATERIAL SPECIFICATIONS

No.	Part	Material
1	Stem	Brass B124 C37700
2	Stem House	Brass B16 C36000
3	Filter	Stainless Steel 304
4	Washer	Stainless Steel 304
5	Seat Packing	Rubber (NBR)
6	Washer	Stainless Steel 304
7	Seat Screw	Brass B124 C37700
8	Body	Brass B584 C85710
9	Packing	Bufallo Paper
10	Packing	Rubber (NBR)
11	Flange Nut	Brass B584 C85710
12	Packing	POM M90 Fornocon
13	Packing Nut	Brass B584 C85710

