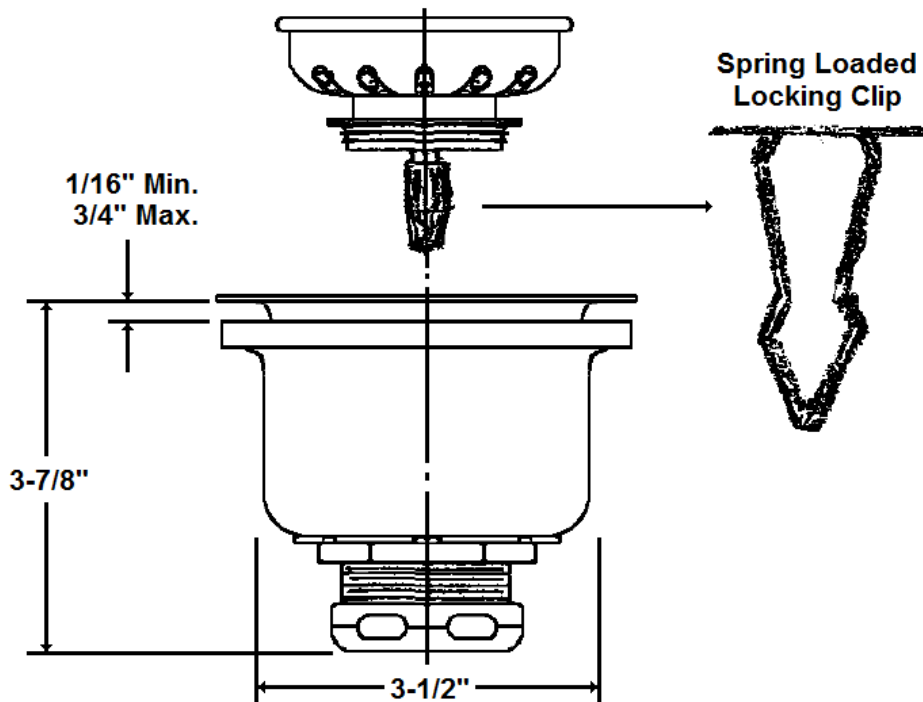


# SS-145 Sink Strainer • Spec Sheet



## FEATURES & BENEFITS

- Stainless Steel Sink Strainer
- Fits 3-1/2" to 4" Openings
- Deep Double Cup
- Long Shank
- 3-3/8" Extra Heavy Rubber Washer
- Spring Clip Basket
- With Ribbed Rubber Stopper



 **MATCO-NORCA**

Global sourcing. National compliance. Local service.

**CALIFORNIA** 5593 Fresca Dr., La Palma CA 90623 • Toll Free: 866-532-8306 • Fax: 866-532-8307  
**TEXAS** 1150 Silber Rd., Houston TX 77055 • Toll Free: 800-935-5456 • Fax: 713-680-2999  
**NEW YORK** PO Box 27, Rt. 22, Brewster NY 10509 • Toll Free: 800-431-2082 • Fax: 845-278-9056  
WEB: [www.matco-norca.com](http://www.matco-norca.com) EMAIL: [mail@matco-norca.com](mailto:mail@matco-norca.com)