

SS-125 Sink Strainer • Spec Sheet

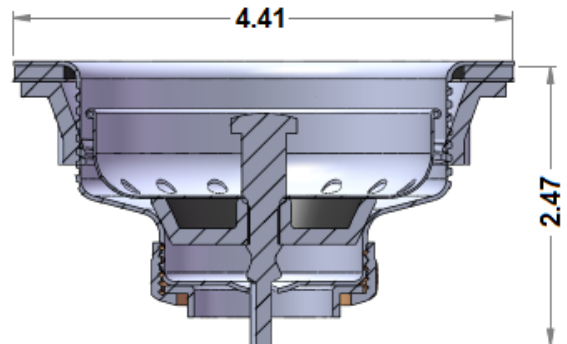
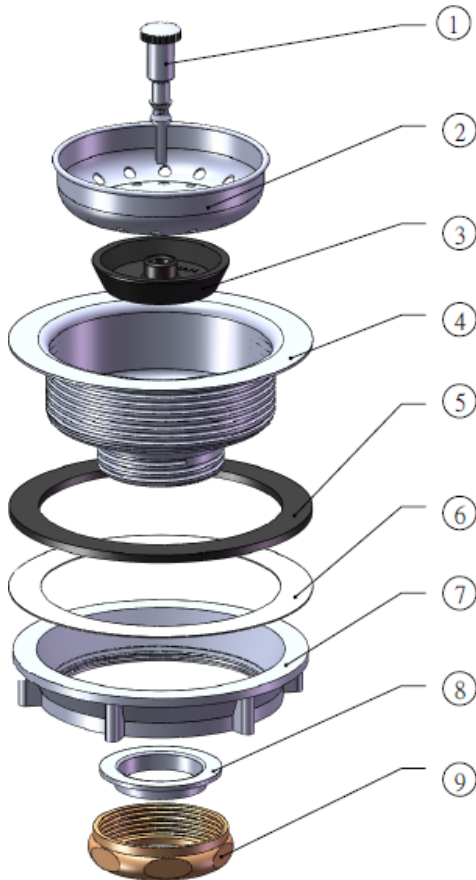


FEATURES & BENEFITS

- Stamped Brass - Chrome Plated
- Heavy Die Cast Locknut
- Thick 3-3/8" Rubber Washer
- Fixed Stick Post
- Neoprene Stopper

MATERIAL SPECIFICATIONS

No.	Part	Material
1	Post	C.P Zinc
2	Basket	Brass
3	Gasket	Rubber
4	Body	Brass
5	Washer	Paper
6	Washer	Rubber
7	Lock Nut	Zinc
8	Washer	PE
9	Slip Nut	Zinc – Yellow Chromate Dip



MATCO-NORCA

Global sourcing. National compliance. Local service.