

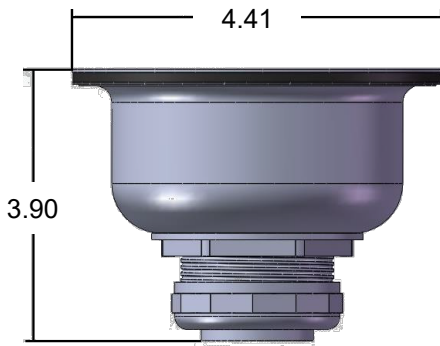
SS-112 Sink Strainer

Specification Sheet

FEATURES & BENEFITS

- Stainless Steel Sink Strainer
- Fits 3-1/2" to 4" Openings
- Deep Double Cup
- Long Shank
- Neoprene Stopper
- Fixed Stick Post

DIMENSIONS



MATERIAL SPECIFICATIONS

No.	Part	Material
1	Post	C.P. ABS
2	Basket	SS430
3	Gasket	Rubber
4	Body	SS430
5	Long Shank	SS430
6	Washer	Rubber
7	Washer	Paper
8	Cup	Galvanized Steel
9	Lock Nut	Zinc
10	Washer	PE
11	Slip Nut	Zinc-Yellow Chromate Dip

