

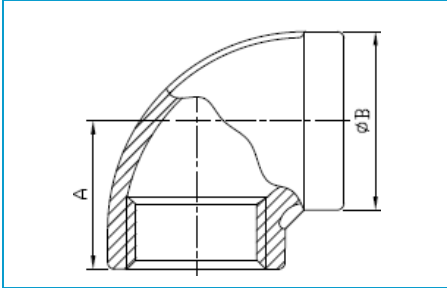
Stainless Steel Fittings • Spec Sheet



- Stainless Steel 304 & 316 Available
- Casting Conforms to ASTM A351
- NPT Threads Conform to ASME B1.20.1
- Manufacturing Facility is ISO 9001:2008 Certified
- Fittings Meet Applicable Chemical & Physical Properties
- RoHS & MSS SP-114 Compliant

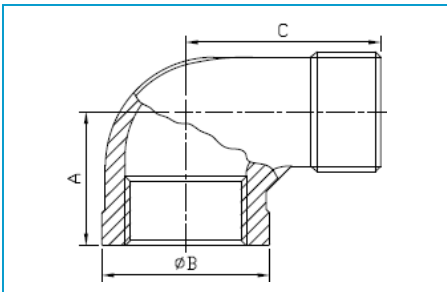
Stainless Steel Fittings • Spec Sheet

Stainless Steel Elbow 90



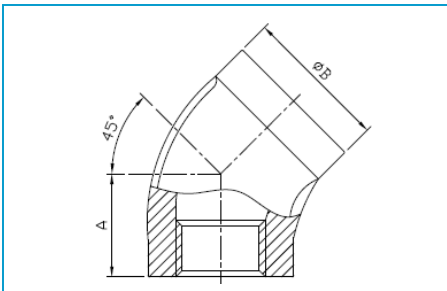
Size	1/8	1/4	3/8	1/2	3/4	1
A	0.67	0.75	0.85	1.06	1.18	1.38
B	0.61	0.74	0.89	1.00	1.24	1.62
Size	1-1/4	1-1/2	2	2-1/2	3	4
A	1.69	1.77	2.13	2.72	2.83	3.50
B	1.91	2.16	2.65	3.20	3.96	4.98

Stainless Steel Street Elbow 90



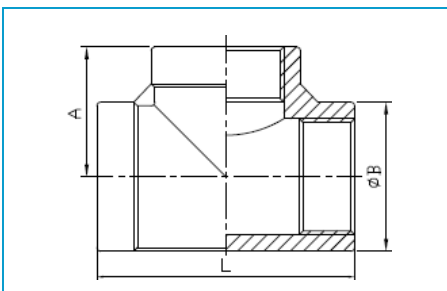
Size	1/8	1/4	3/8	1/2	3/4	1
A	0.75	0.85	0.96	1.14	1.32	1.46
B	0.59	0.81	0.94	1.12	1.35	1.61
C	1.04	1.21	1.44	1.61	1.89	2.17
Size	1-1/4	1-1/2	2	2-1/2	3	4
A	1.69	1.85	2.26	2.60	2.91	3.54
B	2.01	2.22	2.74	3.31	4.01	5.04
C	2.11	2.64	3.05	3.66	4.21	5.12

Stainless Steel Elbow 45



Size	1/8	1/4	3/8	1/2	3/4	1
A	0.59	0.63	0.71	0.79	0.94	1.06
B	0.63	0.72	0.87	1.14	1.26	1.65
Size	1-1/4	1-1/2	2	2-1/2	3	4
A	1.22	1.34	1.54	1.81	2.05	2.48
B	1.91	2.24	2.76	3.46	3.98	5.02

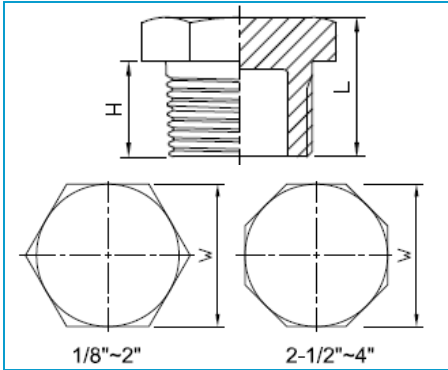
Stainless Steel Tee



Size	1/8	1/4	3/8	1/2	3/4	1
A	0.67	0.77	0.87	1.08	1.18	1.38
B	0.59	0.73	0.87	1.00	1.27	1.56
L	1.31	1.54	1.73	2.17	2.36	2.76
Size	1-1/4	1-1/2	2	2-1/2	3	4
A	1.67	1.75	2.11	2.68	2.83	3.58
B	1.93	2.20	2.66	3.33	3.94	4.96
L	3.35	3.48	4.21	5.04	5.67	7.09

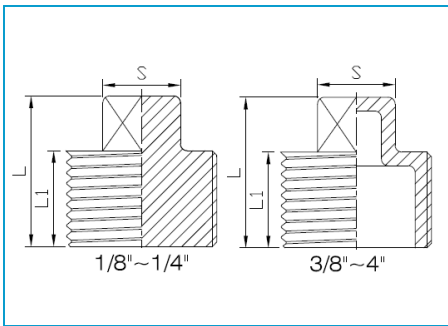
Stainless Steel Fittings • Spec Sheet

Stainless Steel Hex Head Plug



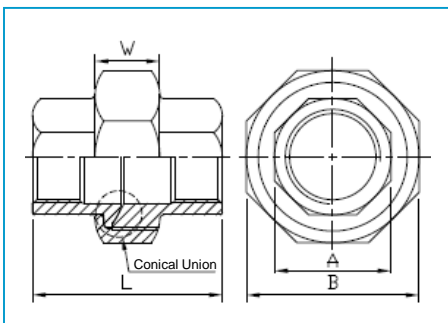
Size	1/8	1/4	3/8	1/2	3/4	1
H	0.41	0.47	0.53	0.63	0.65	0.75
L	0.64	0.71	0.77	0.89	0.92	1.06
W	0.52	0.65	0.73	0.99	1.17	1.41
Size	1-1/4	1-1/2	2	2-1/2	3	4
H	0.83	0.83	0.90	1.14	1.15	1.21
L	1.20	1.21	1.34	1.59	1.64	1.76
W	1.78	2.02	2.46	3.13	3.32	4.63

Stainless Steel Square Head Plug



Size	1/8	1/4	3/8	1/2	3/4	1
L1	0.43	0.46	0.47	0.58	0.61	0.77
L	0.71	0.77	0.78	0.98	1.04	1.30
S	0.28	0.32	0.39	0.52	0.63	0.75
Size	1-1/4	1-1/2	2	2-1/2	3	4
L1	0.80	0.78	0.89	1.05	1.06	1.21
L	1.37	1.36	1.53	1.83	1.85	2.07
S	0.87	0.99	1.14	1.54	1.73	2.29

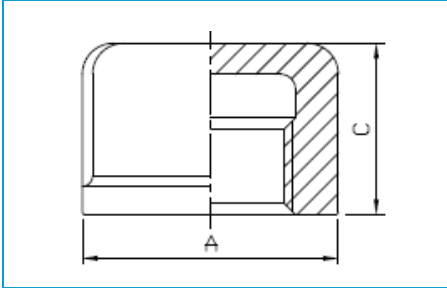
Stainless Steel Union



Size	1/8	1/4	3/8	1/2	3/4	1
L	1.36	1.36	1.48	1.52	1.73	2.01
A	0.68	0.69	0.81	1.04	1.23	1.50
B	1.10	1.10	1.34	1.54	1.81	2.17
W	0.48	0.48	0.59	0.59	0.59	0.67
Size	1-1/4	1-1/2	2	2-1/2	3	4
L	2.28	2.32	2.42	2.80	3.54	3.82
A	1.87	2.13	2.64	3.27	3.78	4.82
B	2.50	2.80	3.35	4.15	4.87	6.04
W	0.79	0.79	0.82	0.94	1.10	1.30

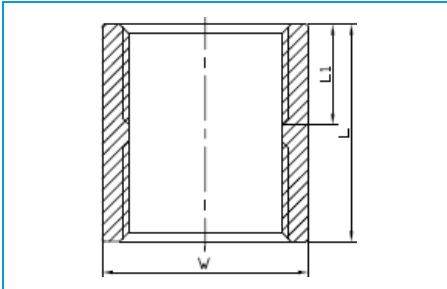
Stainless Steel Fittings • Spec Sheet

Stainless Steel Caps



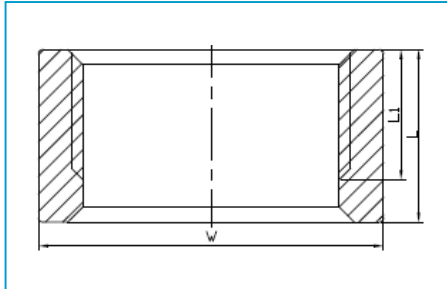
Size	1/8	1/4	3/8	1/2	3/4	1
A	0.63	0.75	0.89	1.15	1.35	1.65
C	0.67	0.71	0.72	0.79	0.85	1.04
Size	1-1/4	1-1/2	2	2-1/2	3	4
A	2.01	2.28	2.77	3.28	3.94	5.02
C	1.14	1.13	1.24	1.52	1.60	1.61

Stainless Steel Coupling



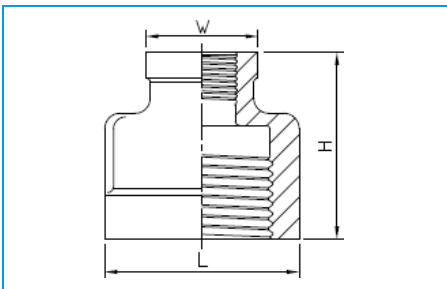
Size	1/8	1/4	3/8	1/2	3/4	1
L	0.79	0.98	0.98	1.30	1.38	1.67
L1	0.33	0.43	0.47	0.59	0.63	0.71
W	0.59	0.75	0.89	1.06	1.28	1.59
Size	1-1/4	1-1/2	2	2-1/2	3	4
L	1.83	1.81	2.15	2.56	2.72	3.11
L1	0.79	0.83	0.91	1.10	1.18	1.34
W	1.93	2.19	2.68	3.35	3.82	4.90

Stainless Steel Half Coupling



Size	1/4	3/8	1/2	3/4	1	1-1/4
L	0.47	0.51	0.65	0.73	0.77	0.89
L1	0.37	0.39	0.51	0.55	0.59	0.71
W	0.75	0.89	1.06	1.28	1.59	1.93
Size	1-1/2	2	2-1/2	3	4	
L	0.91	1.04	1.24	1.36	1.46	
L1	0.77	0.81	1.02	1.10	1.14	
W	2.19	2.68	3.35	3.82	4.90	

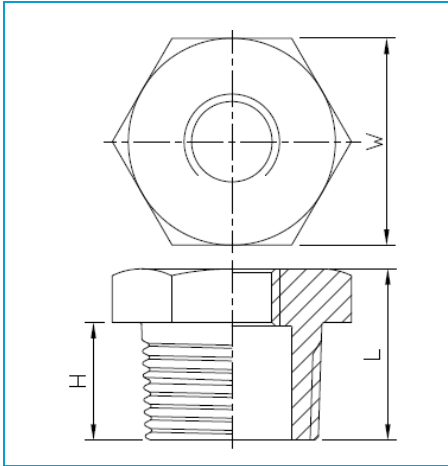
Stainless Steel Reducing Coupling



Size	1/2 x 1/4	1/2 x 3/8	3/4 x 1/2	1 x 1/2	1 x 3/4
L	1.12	1.12	1.34	1.63	4.63
H	1.34	1.34	1.44	1.65	1.65
W	0.71	0.91	1.10	1.14	1.34
Size	1-1/2 x 1-1/4	2 x 1-1/2			
L	2.24	2.76			
H	2.03	2.32			
W	1.97	2.24			

Stainless Steel Fittings • Spec Sheet

Stainless Steel Bushing



Size	1/4 x 1/8	3/8 x 1/4	1/2 x 1/4	1/2 x 3/8	3/4 x 1/4
H	0.43	0.45	0.57	0.57	0.63
L	0.59	0.65	0.79	0.79	0.85
W	0.59	0.71	0.91	0.91	1.14
Size	3/4 x 3/8	3/4 x 1/2	1 x 1/4	1 x 1/2	1 x 3/4
H	0.63	0.63	0.73	0.73	0.73
L	0.85	0.85	0.96	0.96	0.96
W	1.14	1.14	1.38	1.38	1.38
Size	1-1/4 x 1/2	1-1/4 x 3/4	1-1/4 x 1	1-1/2 x 1/2	1-1/2 x 3/4
H	0.83	0.83	0.83	0.83	0.83
L	1.08	1.08	1.08	1.10	1.10
W	1.77	1.77	1.77	1.97	1.97
Size	1-1/2 x 1	1-1/2 x 1-1/4	2 x 1/2	2 x 3/4	2 x 1
H	0.83	0.83	0.87	0.87	0.87
L	1.10	1.10	1.22	1.22	1.22
W	1.97	1.97	2.44	2.44	2.44
Size	2 x 1-1/4	2 x 1-1/2	2-1/2 x 2	3 x 1	3 x 2
H	0.87	0.87	1.06	1.14	1.14
L	1.22	1.22	1.36	1.57	1.57
W	2.44	2.44	3.07	3.54	3.54


MATCO-NORCA
 Global sourcing. National compliance. Local service.

CALIFORNIA 5593 Fresca Dr., La Palma CA 90623 • Toll Free: 866-532-8306 • Fax: 866-532-8307
TEXAS 1150 Silber Rd., Houston TX 77055 • Toll Free: 800-935-5456 • Fax: 713-680-2999
NEW YORK PO Box 27, Rt. 22, Brewster NY 10509 • Toll Free: 800-431-2082 • Fax: 845-278-9056
 WEB: www.matco-norca.com EMAIL: mail@matco-norca.com