

## **Universal Pressure Balancing Valve Body**

# Product Spec Sheet



### **FEATURES & BENEFITS**

- Washerless Cartridge
- Sweat & IPS Connections
- Integral Stops

SR-799WS  
Chrome Finish

#### **APPROVALS:**

**Meets or Exceeds The Following:**

- \* ANSI/ASME A112.18.1
- \* IAPMO/cUPC
- \* ASSE 1016-2005



**CALIFORNIA:**  
**TEXAS:**  
**NEW YORK:**

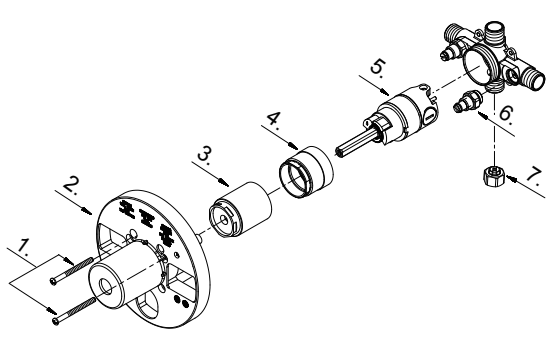
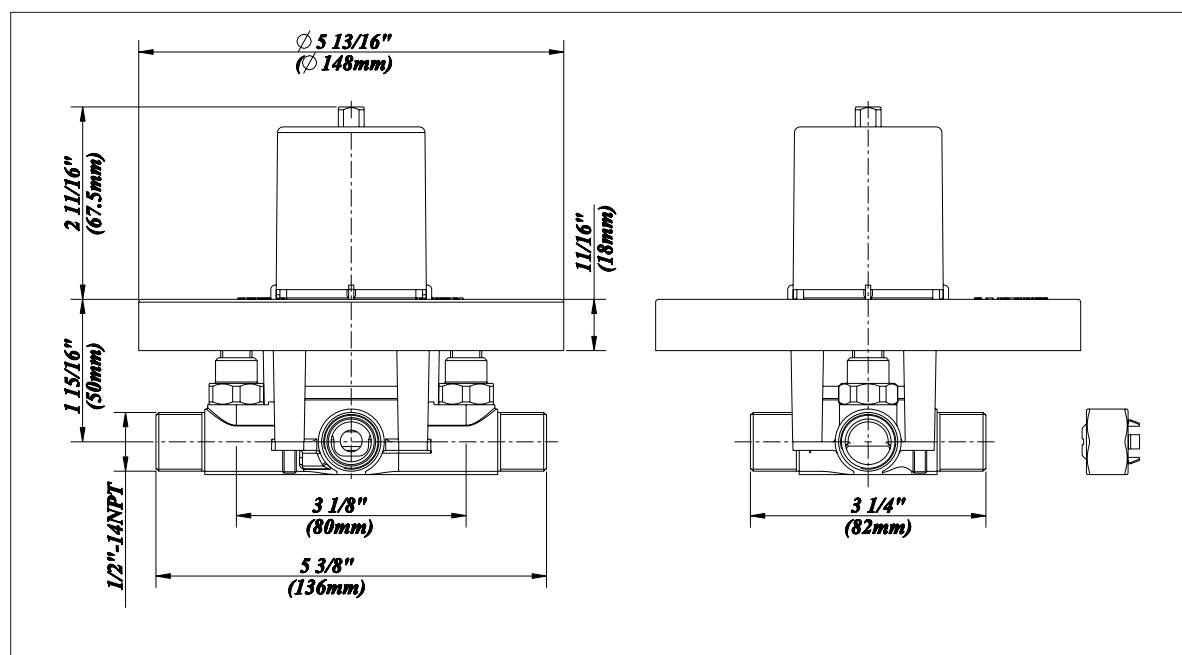
**TEL: 866-532-8306**  
**TEL: 800-935-5456**  
**TEL: 800-431-2082**

**FAX: 866-532-8307**  
**FAX: 800-683-4247**  
**FAX: 800-640-2252**

Visit Our Web Site : [www.matco-norca.com](http://www.matco-norca.com)

# Universal Pressure Balancing Valve Body

No.	Name	Part No.
1	Screw Set (3/16" -24 * 2-3/16" L)	A608519
2	Plaster Guard	A127211KP
3	Sleeve	A103322
4	Retainer Nut	A103310
5	Washerless Cartridge Assembly	A507902
6	Check Valve	A603120
7	Plug	A028452

# Product Spec Sheet

CALIFORNIA:  
TEXAS:  
NEW YORK:

TEL: 866-532-8306  
TEL: 800-935-5456  
TEL: 800-431-2082

FAX: 866-532-8307  
FAX: 800-683-4247  
FAX: 800-640-2252

Visit Our Web Site : [www.matco-norca.com](http://www.matco-norca.com)