

# SCV-055 Self Closing Valve • Spec Sheet



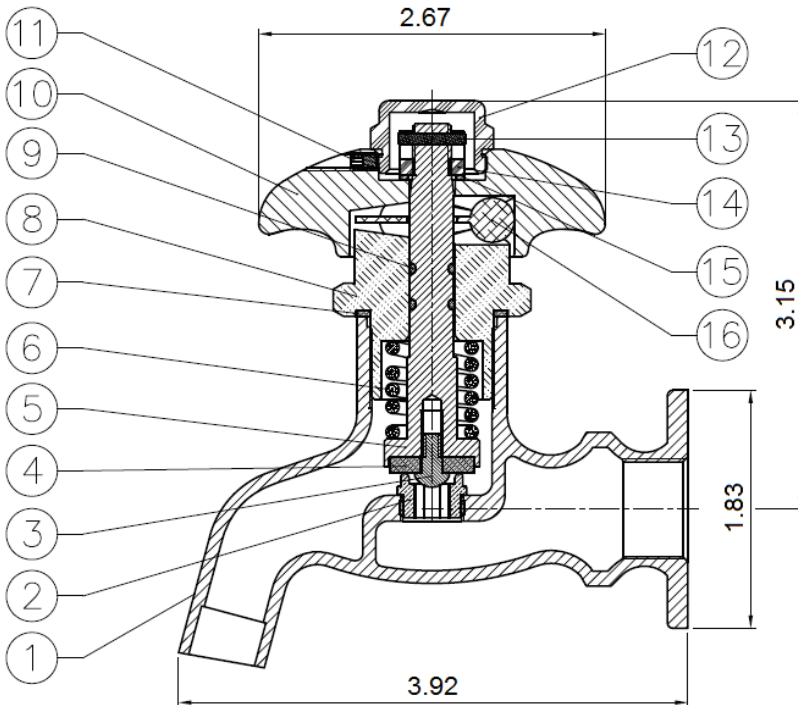
## FEATURES & BENEFITS

- Lead Free Brass\*
- Chrome Plated
- Wall Mounted
- With Cross Handle
- Plain End
- NSF 61-9 & UPC Approved
- 1/2"

## MATERIAL SPECIFICATIONS

No.	Part	Material
1	Body	Brass C89550
2	Seat	Brass C89550
3	Screw	Brass C89550
4	Washer	EPDM SE-719F
5	Stem	Brass C89550
6	Spring	Stainless Steel SS304
7	Washer	Plastic Delrin 500P NC010
8	Body Nut	Brass C89550
9	O-Ring	BUNA SN*719F
10	Handle	Brass C37700
11	Screw	Stainless Steel SS304
12	Cap Nut	Brass C37700
13	Pin	Brass C37700
14	Screw Nut	Brass C37700
15	Washer	Brass C37700
16	Bearing Set	Brass C37700

\* These product complies with 0.25% weighted average lead content on wetted surfaces in accordance with Safe Water Drinking Act (SDWA) / Federal Public Law No. 111-380.



Global sourcing. National compliance. Local service.

**CALIFORNIA** 5593 Fresca Dr., La Palma CA 90623 • Toll Free: 866-532-8306 • Fax: 866-532-8307  
**TEXAS** 1150 Silber Rd., Houston TX 77055 • Toll Free: 800-935-5456 • Fax: 713-680-2999  
**NEW YORK** PO Box 27, Rt. 22, Brewster NY 10509 • Toll Free: 800-431-2082 • Fax: 845-278-9056  
 WEB: [www.matco-norca.com](http://www.matco-norca.com) EMAIL: [mail@matco-norca.com](mailto:mail@matco-norca.com)