

# SCV-050 & SCV-053 Self Closing Valve • Spec Sheet



## FEATURES & BENEFITS

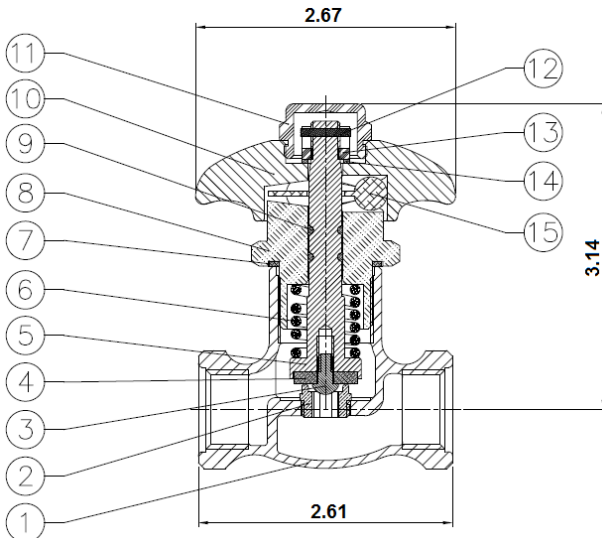
### SCV-050

- 1/2" Valve
- With Cross Handle
- NSF 61-9 & UPC Approved

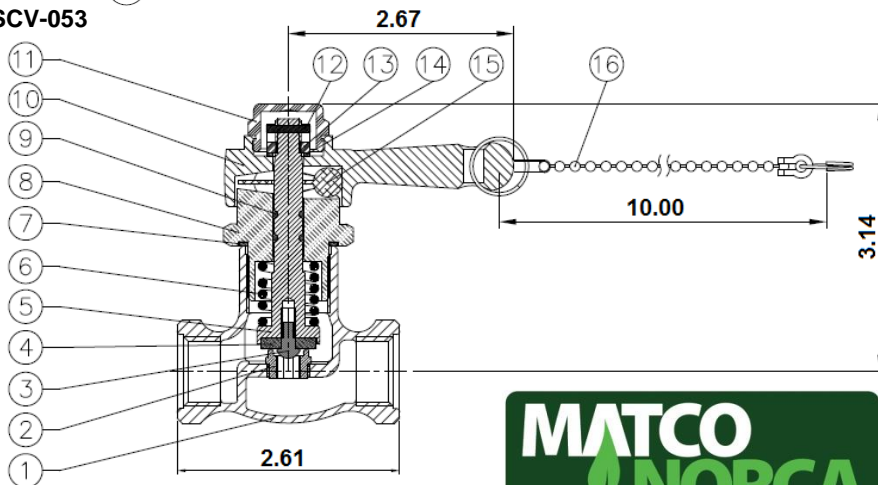
### SCV-053

- Same As Above
- With Lever Handle, Chain & Ring

## SCV-050



## SCV-053



## MATERIAL SPECIFICATIONS

No.	Part	Material
1	Body	Brass C89550
2	Sealing Seat	Brass C89550
3	Screw	Brass C89550
4	Washer	EPDM SE-719F
5	Stem	Brass C89550
6	Spring	Stainless Steel S.S. 304
7	Washer	Plastic Delrin 500P NC010
8	Body Nut	Brass C89550
9	O-Ring	BUNA SN-719F
10	Handle	Brass C37700
11	Cap Nut	Brass C37700
12	Pin	Brass C37700
13	Screw Nut	Brass C37700
14	Washer	Brass C37700
15	Bearing Set	Brass C37700/ S.S. 304
16	Beaded Chain	Stainless Steel S.S. 304

\*This product complies with 0.25% weighted average lead content on wetted surfaces in accordance with the Safe Drinking Water Act (SDWA) / Federal Public Law No. 111-380.



Global sourcing. National compliance. Local service.

**CALIFORNIA** 5933 Fresca Dr., La Palma CA 90623 • Toll Free: 866-532-8306 • Fax: 866-532-8307  
**TEXAS** 1150 Silber Rd., Houston TX 77055 • Toll Free: 800-935-5456 • Fax: 713-680-2999  
**NEW YORK** PO Box 27, Rt. 22, Brewster NY 10509 • Toll Free: 800-431-2082 • Fax: 845-278-9056  
 WEB: [www.matco-norca.com](http://www.matco-norca.com) EMAIL: [mail@matco-norca.com](mailto:mail@matco-norca.com)