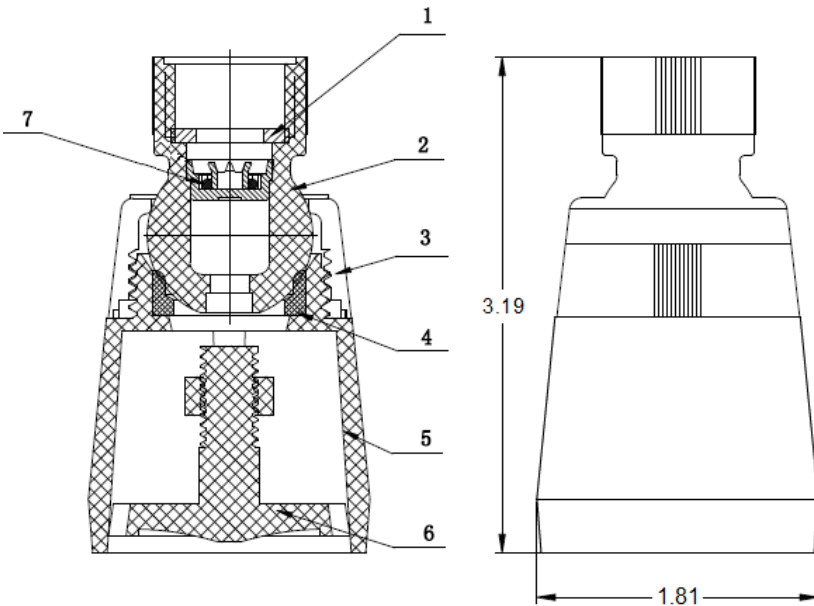


S-100 Showerhead • Spec Sheet



FEATURES & BENEFITS

- Standard Builder Grade Showerhead
- Single Function
- Chrome
- 2.5 GPM @ 80 PSI
- 2"



MATERIAL SPECIFICATIONS

No.	Part	Material
1	Screen	NBR / Black
2	Ball	ABS500W / Finish
3	Hard Nozzle	ABS / Finish
4	Gasket	EPDM / Black
5	Handle	ABD / Finish
6	Hard Nozzle	PP / White
7	O-Ring	EPDM / Black



CALIFORNIA 5595 Fresca Dr., La Palma CA 90623
TEXAS 1150 Silber Rd., Houston TX 77055
ILLINOIS 278 Windy Point Dr., Glendale Heights, IL 60139
GEORGIA 113 Industrial Blvd., Americus, Georgia 31709
NEW YORK PO Box 27, Rt.22, Brewster NY 10509
 WEB: www.matco-norca.com

• Phone: 866-532-8306 • Fax: 866-532-8307
 • Phone: 800-935-5456 • Fax: 713-680-2999
 • Phone: 844-412-5068 • Fax: 800-640-2252
 • Phone: 800-433-7526 • Fax: 800-533-5134
 • Phone: 800-431-2082 • Fax: 845-278-9056
 EMAIL: mail@matco-norca.com