

Press Adapter Fittings

Specification Sheet

FEATURES & BENEFITS

- Lead Free Brass
- 200 PSI
- Temp. Range: 0°F - 200°F
- Temp. Range: 32°F - 200°F (Drop Ear)
- Leak Prior to Press
- cUPC, NSF61 & NSF372 Approved
- Sizes 1/2" - 2"



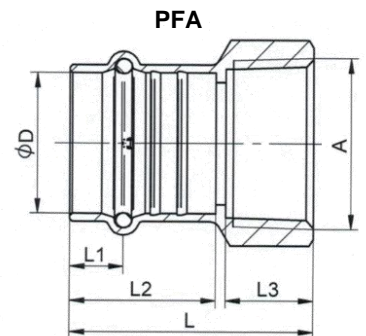
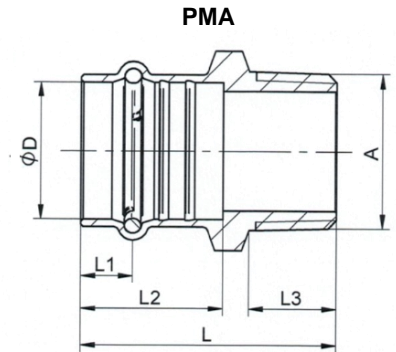
PMA



PFA

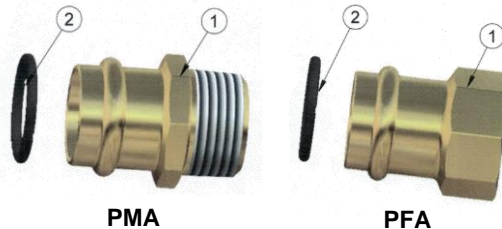
DIMENSIONS

Part #	Size	D	A	L	L1	L2	L3
PMA0303LF	1/2" Press x 1/2" MIP	0.63	1/2"	1.81	0.43	1.10	0.59
PMA0404LF	3/4" Press x 3/4" MIP	0.89	3/4"	1.97	0.43	1.18	0.61
PMA0505LF	1" Press x 1" MIP	1.13	1"	2.13	0.43	1.18	0.73
PMA0606LF	1-1/4" Press x 1-1/4" MIP	1.39	1-1/4"	2.29	0.43	1.18	0.79
PMA0707LF	1-1/2" Press x 1-1/2" MIP	1.64	1-1/2"	2.64	0.51	1.38	0.77
PMA0808LF	2" Press x 2" MIP	2.14	2"	2.88	0.63	1.58	0.79
PFA0303LF	1/2" Press x 1/2" FPT	0.63	1/2"	1.77	0.43	1.10	0.59
PFA0404LF	3/4" Press x 3/4" FPT	0.89	3/4"	1.85	0.43	1.18	0.59
PFA0505LF	1" Press x 1" FPT	1.13	1"	1.97	0.43	1.18	0.71
PFA0606LF	1-1/4" Press x 1-1/4" FPT	1.39	1-1/4"	2.03	0.43	1.18	0.75
PFA0707LF	1-1/2" Press x 1-1/2" FPT	1.64	1-1/2"	2.23	0.51	1.38	0.75
PFA0808LF	2" Press x 2" FPT	2.14	2"	2.48	0.63	1.58	0.79



MATERIAL SPECIFICATIONS

No.	Part	Material
1	Pipe Fitting	Brass C46500
2	O-Ring	EPDM



PMA

PFA



Press Adapter Fittings

Specification Sheet

FEATURES & BENEFITS

- Lead Free Brass
- 200 PSI
- Temp. Range: 0°F - 200°F
- Temp. Range: 32°F - 200°F (Drop Ear)
- Leak Prior to Press
- cUPC, NSF61 & NSF372 Approved
- Sizes 1/2" - 2"



PMAR

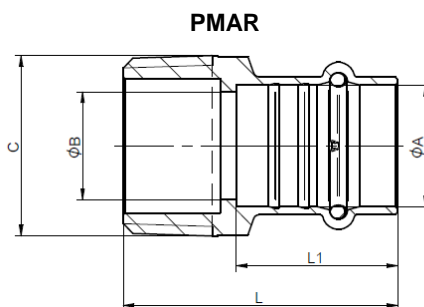


PFAR

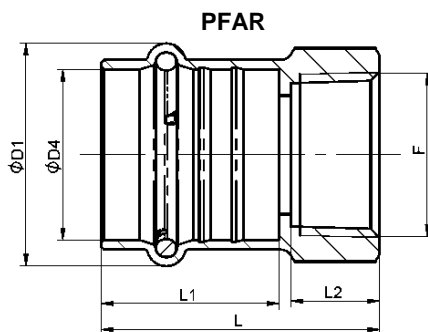


DIMENSIONS

Part #	Size	A	B	C	L	L1
PMAR0304LF	1/2" Press x 3/4" MIP	0.63	0.57	3/4-14NPT	1.85	1.10
PMAR0403LF	3/4" Press x 1/2" MIP	0.89	0.61	1/2-14NPT	1.89	1.18
PMAR0405LF	3/4" Press x 1" MIP	0.89	0.79	1-11.5NPT	2.01	1.18
PMAR0504LF	1" Press x 3/4" MIP	1.13	0.79	3/4-14NPT	2.01	1.18
PMA0R506LF	1" Press x 1-1/4" MIP	1.13	0.99	11/4-11.5NPT	2.29	1.18
PMAR0605LF	1-1/4" Press x 1" MIP	1.39	0.99	1-11.5NPT	2.29	1.18
PMAR0607LF	1-1/4" Press x 1-1/2" MIP	1.39	1.26	11/2-11.5NPT	2.29	1.18
PMAR0706LF	1-1/2" Press x 1-1/4" MIP	1.64	1.34	11/4-11.5NPT	2.40	1.38
PMAR0708LF	1-1/2" Press x 2" MIP	1.64	1.54	2-11.5NPT	2.52	1.38
PMAR0807LF	2" Press x 1-1/2" MIP	2.14	1.54	11/2-11.5NPT	2.72	1.58

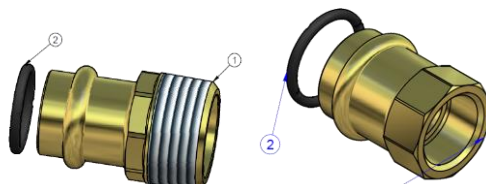


Part #	Size	D1	D4	F	L1	L2	L	B
PFAR0304LF	1/2" Press x 3/4" FPT	0.95	0.63	3/4-14NPT	1.10	0.59	1.77	1.22
PFAR0403LF	3/4" Press x 1/2" FPT	1.22	0.89	1/2-14NPT	1.18	0.59	1.85	1.06
PFAR0503LF	1" Press x 3/4" FPT	1.48	1.13	1/2-14NPT	1.18	0.59	1.85	0.99
PFAR0504LF	1" Press x 1/2" FPT	1.48	1.13	3/4-14NPT	1.18	0.59	1.85	1.32
PFAR0506LF	1" Press x 1-1/2" FPT	1.48	1.13	11/4-11.5NPT	1.18	0.75	2.03	1.83
PFAR0605LF	1-1/4" Press x 1" FPT	1.74	1.39	1-11.5NPT	1.18	0.71	1.99	1.64
PFAR0607LF	1-1/4" Press x 1-1/2" FPT	1.74	1.39	11/2-11.5NPT	1.18	0.75	2.03	2.09
PFAR0706LF	1-1/2" Press x 1-1/4" FPT	2.09	1.64	11/4-11.5NPT	1.38	0.75	2.23	1.89



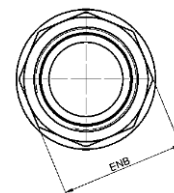
MATERIAL SPECIFICATIONS

No.	Part	Material
1	Pipe Fitting	Brass C46500
2	O-Ring	EPDM



PMAR

PFAR

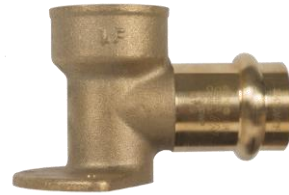


Press Adapter Fittings

Specification Sheet

FEATURES & BENEFITS

- Lead Free Brass
- 200 PSI
- Temp. Range: 0°F - 200°F
- Temp. Range: 32°F - 200°F (Drop Ear)
- Leak Prior to Press
- cUPC, NSF61 & NSF372 Approved
- Sizes 1/2" - 2"



PDE



DIMENSIONS

Part #	Size	DN	L1	L2	L3	H	A
PDE-0303LF	1/2" Press Drop Ear Elbow	0.57	1.10	0.59	1.77	1.77	1/2-14NPT
PDE-0404LF	3/4" Press Drop Ear Elbow	0.79	1.18	0.61	1.97	1.95	1/2-14NPT

MATERIAL SPECIFICATIONS

No.	Part	Material
1	Pipe Fitting	Brass C46500
2	O-Ring	EPDM

