

# PRVLF Pressure Relief Valve • Spec Sheet

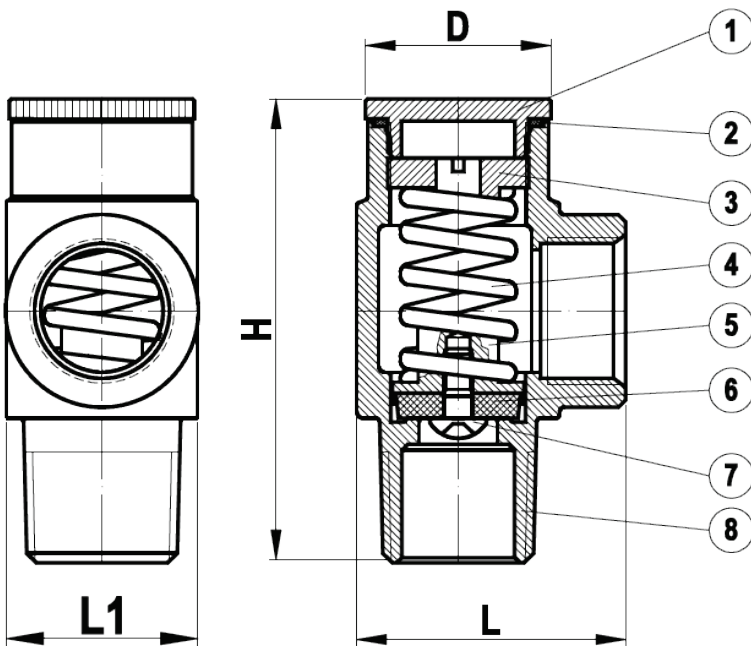


## FEATURES & BENEFITS

- Lead Free Brass\*
- Male X Female
- Set to 75 PSI

## DIMENSIONS

Part #	Size	H	L	L1	D
PRV0303LF	1/2" X 1/2"	2.48	1.42	1.02	0.99
PRV0403LF	3/4" X 1/2"	2.46	1.44	1.02	0.99



## MATERIAL SPECIFICATIONS

No.	Part	Material
1	Bonnet	Brass C46400
2	Washer	Fibre 'H'
3	Spring Cup	Brass C46400
4	Spring	Stainless Steel 304
5	Seat House	Brass C46400
6	Seat Washer	BUNA SN-719F
7	Seat Screw	JIS H3260 C2600W
8	Body	Brass C46400

\* These product complies with 0.25% weighted average lead content on wetted surfaces in accordance with Safe Water Drinking Act (SDWA) / Federal Public Law No. 111-380.



Global sourcing. National compliance. Local service.

**CALIFORNIA** 5593 Fresca Dr., La Palma CA 90623 • Toll Free: 866-532-8306 • Fax: 866-532-8307  
**TEXAS** 1150 Silber Rd., Houston TX 77055 • Toll Free: 800-935-5456 • Fax: 713-680-2999  
**NEW YORK** PO Box 27, Rt. 22, Brewster NY 10509 • Toll Free: 800-431-2082 • Fax: 845-278-9056  
 WEB: [www.matco-norca.com](http://www.matco-norca.com) EMAIL: [mail@matco-norca.com](mailto:mail@matco-norca.com)