

□ **PO-480C**

□ **PO-480BN**



6" - 12" Two Handle Widespread Lavatory Faucet

Product Spec Sheet



FEATURES & BENEFITS

- This Product Contains Less Than 0.25% Weighted Average Lead Content On Wetted Surfaces
- Metal Lever Handles
- Ceramic Cartridges
- Brass Pop-up
- Max Flow Rate 1.2 GPM (4.5 L/MIN) At 60 PSI (ASME A112.18.1M/A112.18.1)

PO-480C
Chrome Finish

PO-480BN
Brushed Nickel Finish

APPROVALS:

Meets or Exceeds The Following:

- * ANSI/ASME A112.18.1M/A112.18.1
- * NSF/ANSI 61 - Sec. 9
- * NSF/ANSI 372
- * IAPMO/cUPC
- * CA AB1953



NSF/ANSI 372
NSF/ANSI 61-9



CALIFORNIA:
TEXAS:
NEW YORK:

TEL: 866-532-8306
TEL: 800-935-5456
TEL: 800-431-2082

FAX: 866-532-8307
FAX: 800-683-4247
FAX: 800-640-2252

Visit Our Web Site : www.matco-norca.com

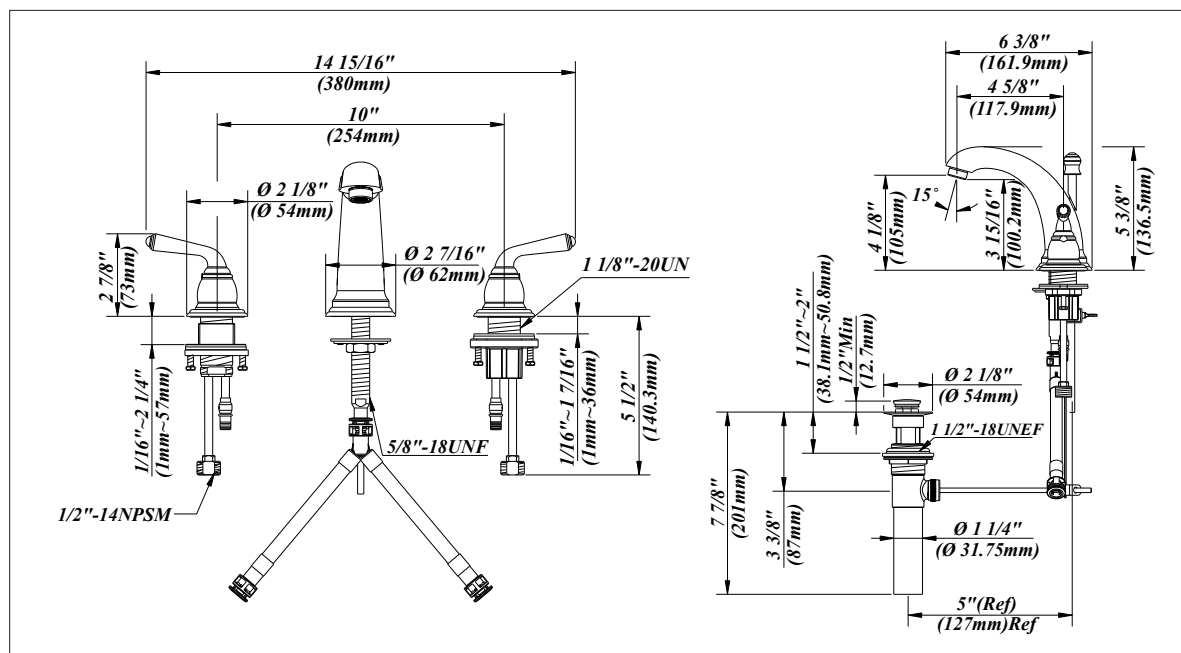
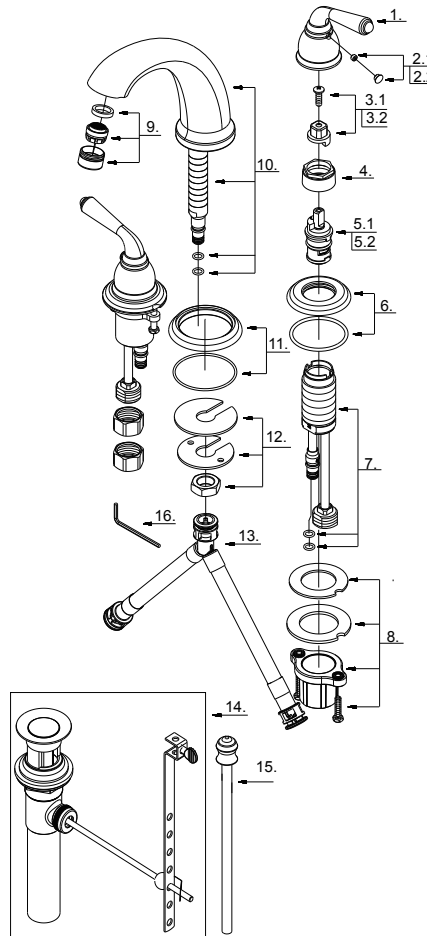
□ **PO-480C**

□ **PO-480BN**



6" - 12" Two Handle Widespread Lavatory Faucet

No.	Name	Part No.
1	Metal Handle	A069131
2.1	Index Button-Cold	A66D654C
2.2	Index Button-Hot	A66D654H
3.1	Handle Adaptor-Cold	A66D574C
3.2	Handle Adaptor-Hot	A66D574H
4	Retainer Nut	A016003
5.1	Ceramic Disc Cartridge-Cold	A507104N
5.2	Ceramic Disc Cartridge-Hot	A507103N
6	Handle Trim Ring	A663456
7	Handle Valve Body	A661002W
8	Mounting Hardware Assembly	A66D656-P
9	Aerator	A500953N-51
10	Spout Assembly	A666848W
11	Spout Trim Ring	A667591
12	Mounting Hardware	A603233
13	Supply Hose	A135141N
14	Pop-up Assembly	A556200L
15	Lift Rod	A025038
16	Hex Wrench (H2.5 * 19 mm L * 53 mm L)	A031000NI



Product Spec Sheet

CALIFORNIA:
TEXAS:
NEW YORK:

TEL: 866-532-8306
TEL: 800-935-5456
TEL: 800-431-2082

FAX: 866-532-8307
FAX: 800-683-4247
FAX: 800-640-2252

Visit Our Web Site : www.matco-norca.com